

DX60-Series Tanker Valve



Applications

- Used on food-grade and dairy stainless steel bulk transport trailers to safely and hygienically load and unload various products including milk, juices, chocolate, glycerin, and many types of food-grade oils
- These valves are found in the tanker manufacturing and repair/replacement markets

Sizes

- 3" and 6" x 3" (other sizes available upon request)

Features

- Drop-in replacement for other 60TTF valves on the market
- Durable valve body machined from bar
- Lip seal provides fluid-tight seal whether the plunger is open or closed
 - Cycle tested to over 70,000 cycles
- Easy-lock plunger for locking valve in open position with no external clips needed
- Patented closure system to eliminate the pinch point that may result in injury on competitor's valves
- Bonnet design uses standard sanitary clamps for easy removal without the need of tools

Specifications

- Standard connections
 - 3" Flange with ANSI B16.5 class 150# flange bolt circle x 3" sanitary male threaded bevel seat
 - 6" sanitary triclamp flange x 3" sanitary male threaded bevel seat
 - Other connection types available upon request
- Valve data
 - Maximum product line pressure: **75 PSI (5.17 Bar)**
 - Maximum operating temperature: **212°F (100°C)**
 - Minimum operating temperature: **-20°F (-29°C)**
 - Maximum ambient temperature: **140°F (60°C)**
- Materials of construction
 - Product contact metal components: 304 stainless steel
 - Non-product contact metal components: see BOM for individual component materials
 - Product contact seals: FKM or nitrile rubber (FDA 21CFR177.2600 & 3A 18-03 Class I)
- Surface Finish
 - Product Contact Metal Components: ≤ 32 Ra
 - Non-Product Contact Metal Components: ≤ 63 Ra
- Cleaning method: 3A certified for Clean-In-Place (CIP) and Clean-Out-Of-Place (COP)



Aluminum cover with lanyard style cover nut



Aluminum cover with 5/8" UNC threaded post and nut

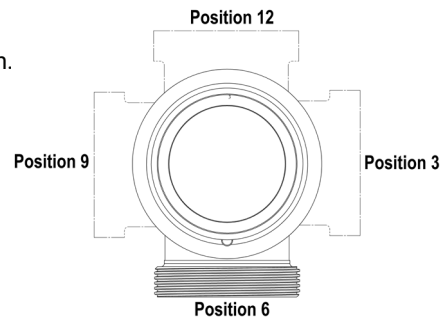


Optional plunger with freeze rod

DX60-Series Tanker Valve - Part Number Key

DX60-Series Hygienic Tanker Valve Part Number Key Example: DX603010A1GV1_		Series	Valve Body				Material	Seat Material	Valve Cover	Options
		DX60	30	10	A	1	G	V	1	
Series	Code									
DX60	DX60	←								
Valve Size	Code									
3"	30	←								
3" at position 6 / 2" at position 3, 9, or 12	32									
3" at position 6 / 2-1/2" at positions 3, 9, or 12	35									
6" to trailer / 3" at 3, 6, 9, or 12	63N									
Valve Body Style	Code									
L (2-port shut-off) position 6	10									
Multiport (3-port shut-off) positions 6 and 3	20	←								
Multiport (3-port shut-off) positions 6 and 9	30									
Multiport (3-port shut-off) positions 6 and 12	40									
Surface Finish	Code									
32 Ra (I.D. mech polish)	A	←								
Connections	Code									
Flange (to trailer) x male threaded bevel *	1	←								
Plain bevel (to trailer) x male threaded bevel	2									
Wetted Parts Material	Code									
304 stainless steel	G	←								
316L stainless steel	R									
Seat Material	Code									
FKM	V	←								
Nitrile rubber	B									
Valve Dust Cover	Code									
Aluminum with lanyard style cover nut	1	←								
No cover	2									
Aluminum with 5/8" UNC threaded post and nut	3									
Options	Code									
None	blank	←								
Plunger with freeze rod	R									
No bevel seat nut or cap	A									

* When used with valve size code 63, the flange is a triclamp style connection.

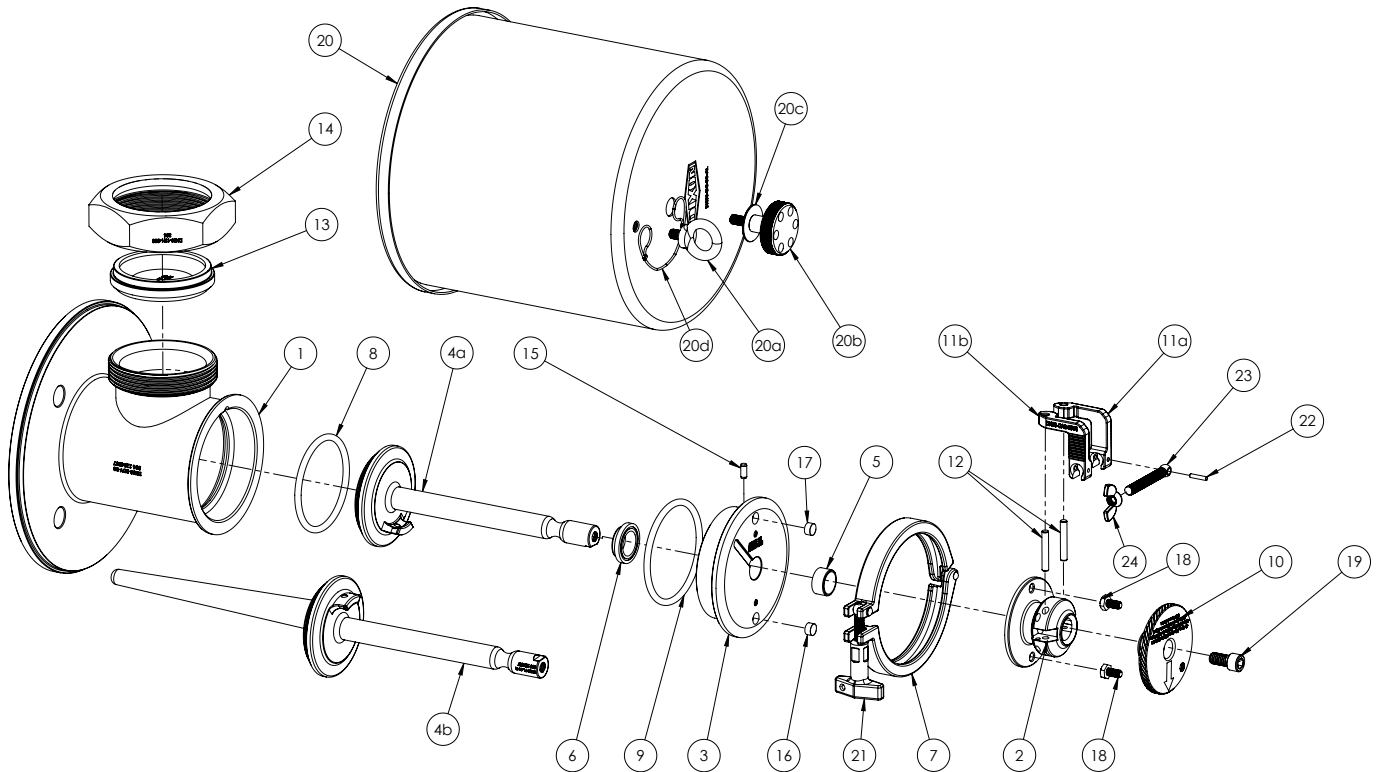


NOTE: For other sizes and configurations not listed, please contact the Dixon® Sanitary Engineering department by emailing sanitaryengineering@dixonvalve.com or give us a call at 800.789.1718.

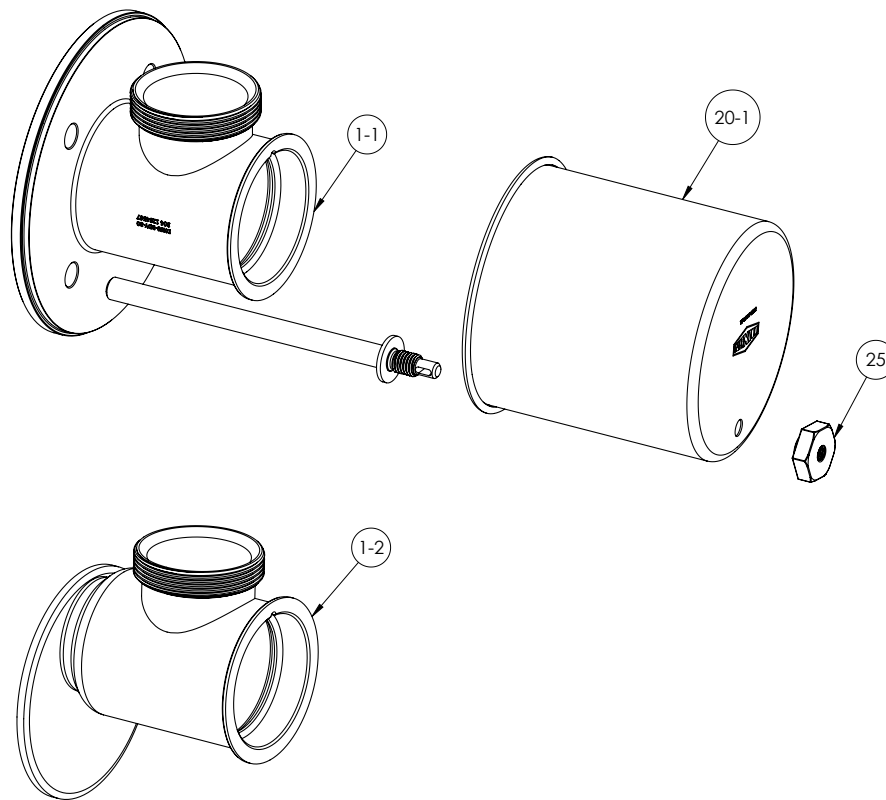
DX60-Series Tanker Valve - Standard Valve Part Numbers

Size	Connections	Cover Style	Freeze Rod	Material	Weight (lbs)	Part #
3"	150# flange x male threaded bevel seat	with aluminum cover (landyard style dust cover)	with freeze rod	304, nitrile rubber	28.0	DX603010A1GB1R
				304, FKM	28.0	DX603010A1GV1R
			without freeze rod	304, nitrile rubber	27.0	DX603010A1GB1
				304, FKM	27.0	DX603010A1GV1
		with aluminum cover (5/8" UNC threaded post and nut)	with freeze rod	304, nitrile rubber	30.5	DX603010A1GB3R
				304, FKM	30.5	DX603010A1GV3R
			without freeze rod	304, nitrile rubber	29.4	DX603010A1GB3
				304, FKM	29.4	DX603010A1GV3
		without aluminum cover	with freeze rod	304, FKM	26.4	DX603010A1GV2R
				304, nitrile rubber	26.4	DX603010A2GB2R
			without freeze rod	304, nitrile rubber	25.4	DX603010A1GB2
				304, FKM	25.4	DX603010A1GV2
6" x 3"	6" triclamp x 3" male threaded bevel seat	without aluminum cover	without freeze rod	304, FKM	25.4	DX6063N10A1GV2
				304, nitrile rubber	19.9	DX6063N10A1GB2

DX60-Series Tanker Valve - BOM



DX60-Series Tanker Valve - BOM (alternative body and cover)



Part Type	Part #	Item #	Material	Description	Qty
Body housing	DX60-BDY-30	1	304	DX60 body (3" flange x 3" male bevel seat)	1
	DX60-BDY-30P	1-1	304	DX60 body (3" flange x 3" male bevel seat) with 5/8" UNC post for cover	1
	DX60-BDY-60103N	1-2	304	DX60 body (6" triclamp x 3" male bevel seat)	1
Bonnet hub flange	DX60-BF-30	2	304	DX60 bonnet hub flange (3" valve)	1
Bonnet	DX60-BON-30	3	304	DX60 bonnet (3" valve)	1
Plunger	DX60-PL-30	4a	304	DX60 plunger (3" valve)	1
Plunger - freeze rod (optional)	DX60-PL-30-R	4b	304	DX60 plunger with freeze rod (3" valve)	1
Stem bushing	DX60-SB-30	5	PTFE	DX60 stem bushing (3" valve)	1
Lip seal	DX60-LS-V-30	6	FKM	DX60 FKM lip seal (3" valve)	1
Body clamp	DX60-CLMP-30	7	304	DX60 body clamp (3" valve)	1
Plunger seal	DX60-PS-V-30	8	FKM	DX60 FKM plunger seal (3" valve)	1
Bonnet seal	DX60-BS-V-30	9	FKM	DX60 FKM bonnet seal (3" valve)	1
Plunger handle	DX60-HA-30	10	304	DX60 plunger handle (3" valve)	1
Handle cam arm left	DX60-CA-KIT	11a	304	Handle cam arm left (3" valve)	1
Handle cam arm right		11b	304	Handle cam arm right (3" valve)	1
Pin	DX60-G100PSS	12	304	Cam arm pin	2
Bevel seat cap	DX60-16A-G30	13	304	DX60 bevel seat cap (3" valve)	1

DX60-Series Tanker Valve - BOM (cont.)

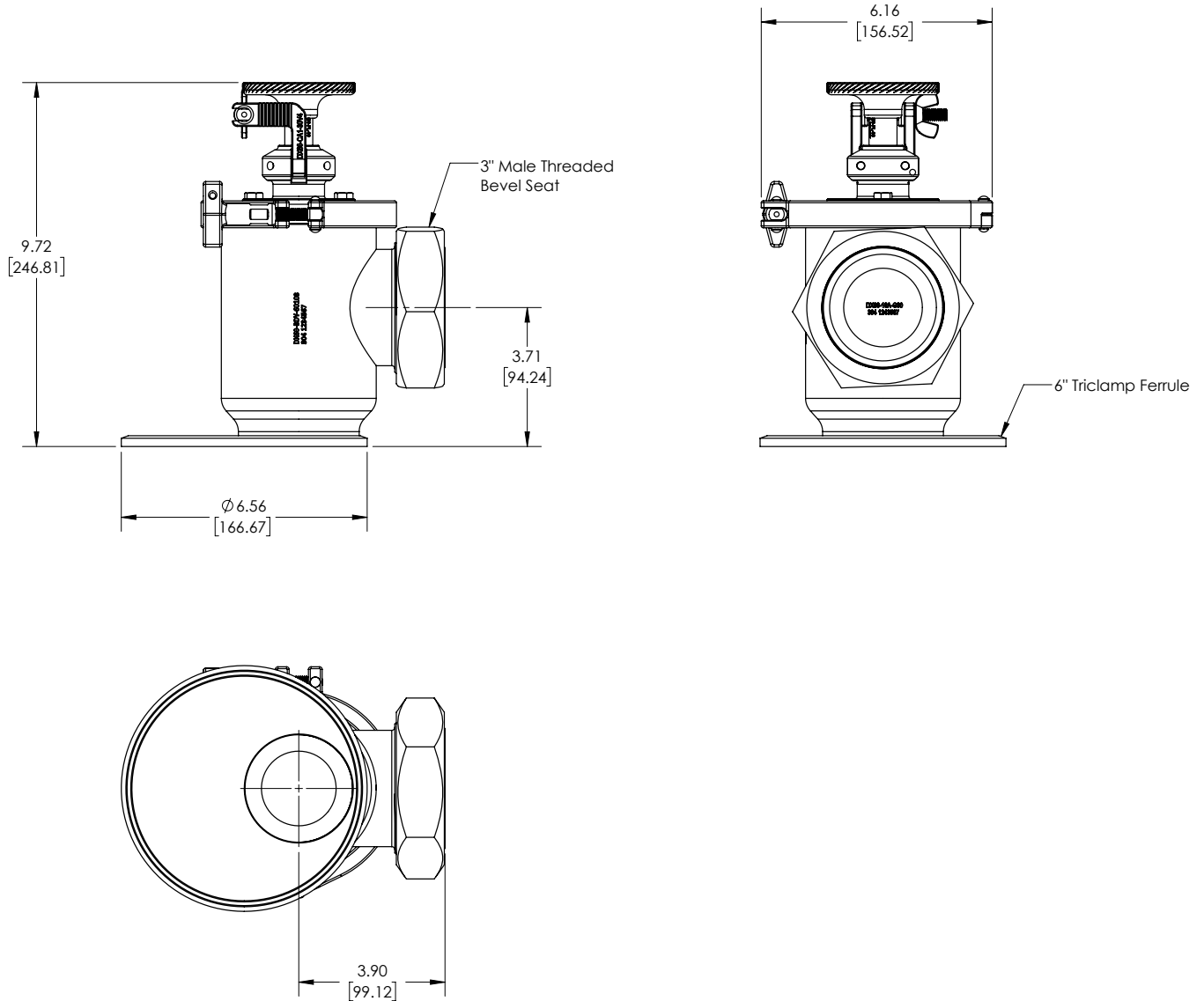
Part Type	Part #	Item #	Material	Description	Qty
Bevel seat nut	13H-G300	14	304	3" bevel seat nut	1
Bonnet locating pin	DX60-BLP-30	15	18-8	DX60 bonnet locating pin (3" valve)	1
Bonnet marker - red	DX60-BMR	16	Nylon	DX60 red bonnet marker	1
Bonnet marker - green	DX60-BMG	17	Nylon	DX60 green bonnet marker	1
Bonnet flange bolt	DX60-BFHB-30	18	18-8	DX60 bonnet flange bolt (3" valve)	2
Plunger handle bolt	DX60-HAB-30	19	304	DX60 plunger handle bolt	1
Dust cover	DX60-DC-30-ALRK	20	AL	DX60 valve dust cover assembly with lanyard/nut (3" valve)	1
Dust cover	DX60-DC-30-ALP	20-1	AL	DX60 valve dust cover for 5/8" UNC post style body	1
Dust cover eye bolt	DX60-DCEB-30	20a	304	DX60 dust cover eye bolt	1
Dust cover nut	DX60-DCN-30	20b	AL	DX60 dust cover nut	1
Dust cover nut washer	DX60-DCNW-30	20c	18-8	DX60 dust cover nut washer	1
Dust cover nut assembly with lanyard	DX60-DCNA-30	20a-d	--	Nut assembly w/ lanyard	1
Body clamp wing nut	DX60-13DWN	21	304	DX60 body clamp wing nut	1
SS slotted spring pin, 1/8" x 5/8"	DX-92373A179	22	18-8	SS slotted spring pin, 1/8" x 5/8"	1
5/16" x 2-1/2" threaded eye bolt	131B6	23	304	5/16" x 2-1/2" threaded eye bolt	1
SS wing nut, 5/16"-18", right hand	DX-92001A330	24	18-8	SS wing nut, 5/16"-18", right hand	1
5/8" aluminum dust cover stem nut	DX60-DCSN-AL	25	AL	5/8" UNC aluminum dust cover stem nut. Use with dust cover DX60-DC-30-ALP	1

Other Material Components

Part Type	Part #	Item #	Material	Description	Qty
Body housing	DX60-BDY-30R	1	316L	DX60 body (3" flange x 3" male bevel Seat), 316L	1
	DX60-BDY-30PR	1-1	316L	DX60 body (3" flange x 3" male bevel seat) with 5/8" UNC post for cover, 316L	1
	DX60-BDY60103NR	1-2	316L	DX60 body (6" triclamp x 3" male bevel seat), 316L	1
Bonnet	DX60-BON-30R	3	316L	DX60 bonnet (3" valve), 316L	1
Plunger	DX60-PL-30R	4a	316L	DX60 plunger (3" valve), 316L	1
Bevel seat cap	DX60-16A-G30R	13	316L	DX60 bevel seat cap (3" valve), 316L	1
Lip seal	DX60-LS-B-30	6	NBR	DX60 NBR lip seal (3" valve)	1
Plunger seal	DX60-PS-B-30	8	NBR	DX60 NBR plunger seal (3" valve)	1
Bonnet seal	DX60-BS-B-30	9	NBR	DX60 NBR bonnet seal (3" valve)	1

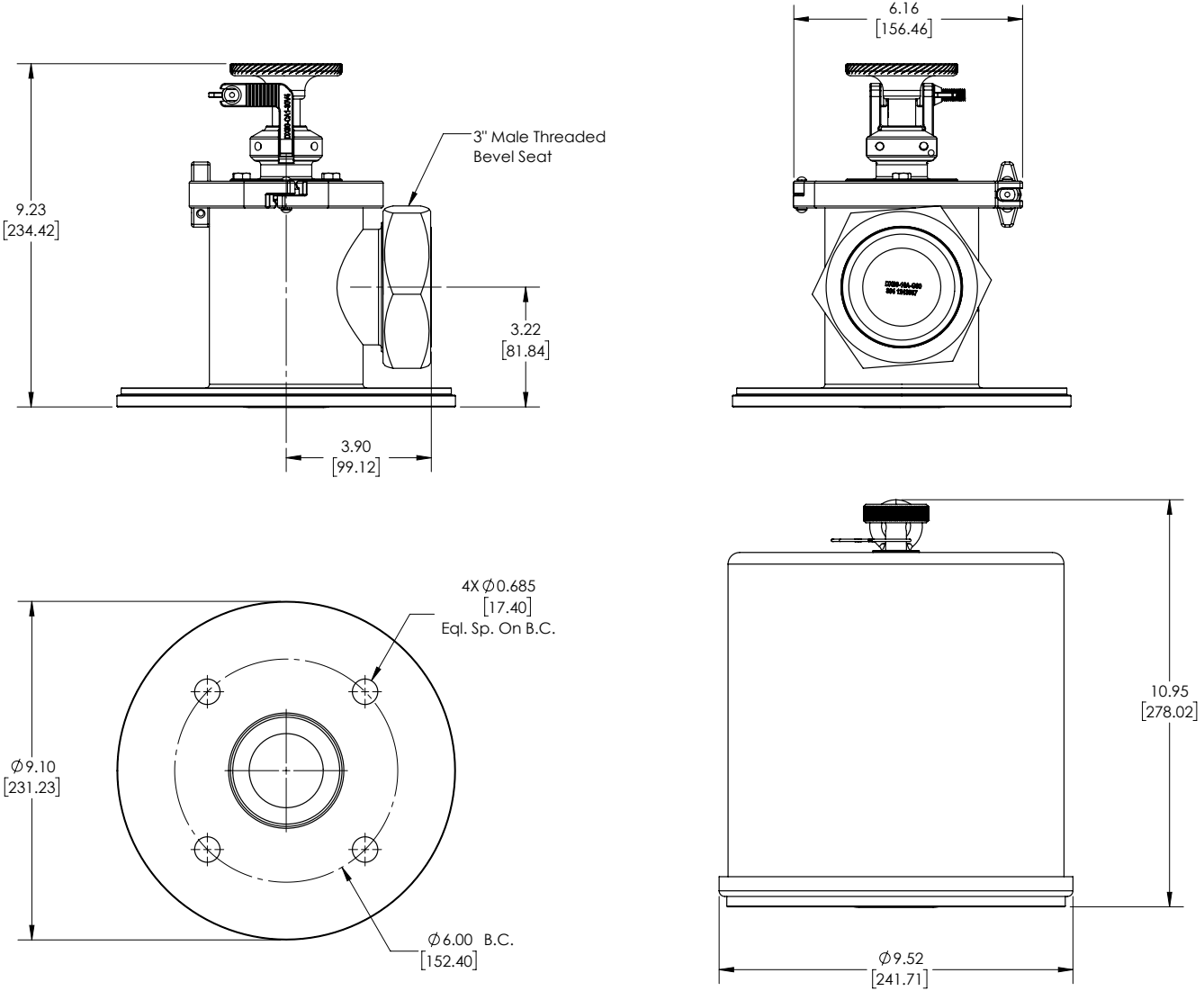
DX60-Series Tanker Valve - Dimensions

6x3 Valve



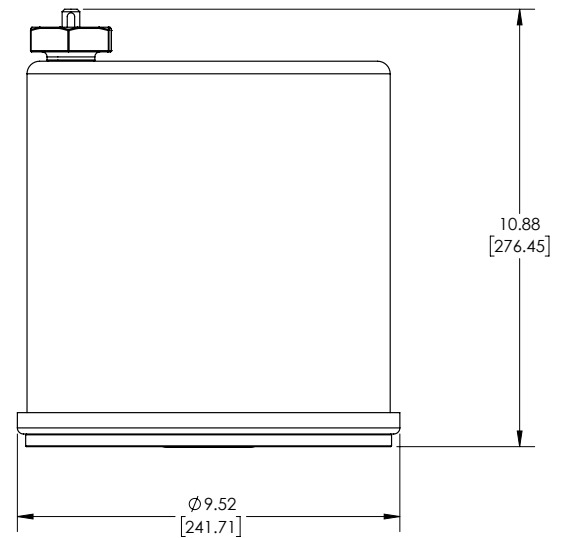
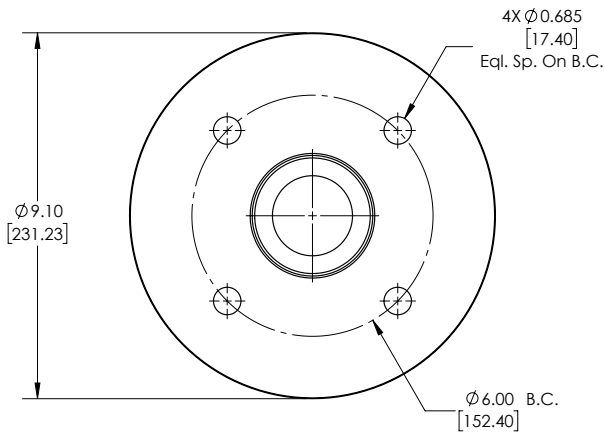
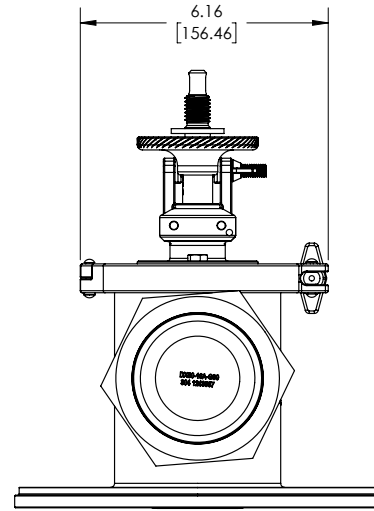
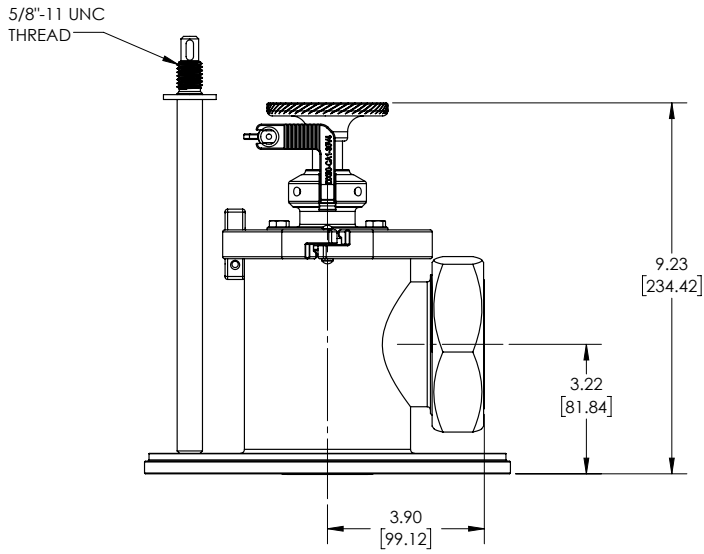
DX60-Series Tanker Valve - Dimensions

3x3 Valve 150# Flange



DX60-Series Tanker Valve - Dimensions

3x3 Valve 150# Flange Post Covers



DX60-Series Tanker Valve - Repair Kits

Valve Size	Lip Seal Material (Item 6)	Plunger Seal Material (Item 8)	Bonnet Seat Material (Item 9)	Repair Kit Part Number	Kit Includes
3" and 6" x 3"	-	FKM	FKM	DX60-30-SK1-V	Items 8, 9
	FKM	FKM	FKM	DX60-30-SK2-V	Items 6, 8, 9
	-	Nitrile rubber	Nitrile rubber	DX60-30-SK1-B	Items 8, 9
	Nitrile rubber	Nitrile rubber	Nitrile rubber	DX60-30-SK2-B	Items 6, 8, 9

Repair Kit Part Number	Description	Kit Contains
DX60-30-SK1-V	DX60 FKM plunger and bonnet seals	(1) FKM plunger seal, (1) FKM Bonnet Seal
DX60-30-SK2-V	DX60 FKM lip seal, plunger seal, and bonnet seal	(1) FKM lip seal, (1) FKM plunger seal, (1) FKM bonnet seal
DX60-30-SK1-B	DX60 Buna plunger and bonnet seats	(1) Nitrile rubber plunger seal, (1) nitrile rubber bonnet seal
DX60-30-SK2-B	DX60 Buna lip seal, plunger seal, and bonnet seal	(1) Nitrile rubber lip seal, (1) nitrile rubber plunger seal, (1) nitrile rubber bonnet seal

Limited Warranty

DIXON VALVE & COUPLING COMPANY, LLC (herein called "Dixon") warrants the products described herein and manufactured by Dixon to be free from defects in material and workmanship for a period of one (1) year from date of shipment by Dixon under normal use and service. Its sole obligation under this warranty being limited to repairing or replacing, as hereinafter provided, at its option any product found to Dixon's satisfaction to be defective upon examination by it, provided that such product shall be returned for inspection to Dixon's factory within three (3) months after discovery of the defect. The repair or replacement of defective products will be made without charge for parts or labor. This warranty shall not apply to: (a) parts or products not manufactured by Dixon, the warranty of such items being limited to the actual warranty extended to Dixon by its supplier; (b) any product that has been subject to abuse, negligence, accident, or misapplication; (c) any product altered or repaired by others than Dixon; and (d) normal maintenance services and the replacement of service items (such as washers, gaskets, and lubricants) made in connection with such services. To the extent permitted by law, this limited warranty shall extend only to the buyer and any other person reasonably expected to use or consume the goods who is injured in person by any breach of the warranty. No action may be brought against Dixon for an alleged breach of warranty unless such action is instituted within one (1) year from the date the cause of action accrues. This limited warranty shall be construed and enforced to the fullest extent allowable by applicable law.

Other than the obligation of Dixon set forth herein, Dixon disclaims all warranties, express or implied, including but not limited to any implied warranties of merchantability or fitness for a particular purpose, and any other obligation or liability. The foregoing constitutes Dixon's sole obligation with respect to damages, whether direct, incidental, or consequential, resulting from the use or performance of the product.

Some products and sizes may be discontinued when stock is depleted or may require a minimum quantity for ordering.

Limits of Liability

This brochure is intended as a product offering. It is not intended to be a user or technical manual. Information in this brochure is subject to change without notice. All users and distributors of products sold through this brochure should contact Dixon with questions of use, compatibilities, coupling procedures, and life of product. Our full-time engineering and test staff are always available to recommend uses and to assist distributors and users with any questions.



Safety



Safety logos, which appear throughout our catalog, are used as a reminder that the user should carefully review for the appropriateness of the product for the media, application, and environment in which it will be used.

NOTE: Because of the health hazards associated with contamination and lead content in drinking water systems, Dixon couplings, unless otherwise specifically approved, are not recommended for potable water service and should not be used in applications where drinking water will contact the wetted surfaces of the coupling.

All Dixon products are shipped in cartons with the following warning:

"WARNING: This product contains lead, a chemical known to the State of California to cause cancer and birth defects or other reproductive harm."

Trademark

Delrin® and Zytel® are registered trademarks of E.I. duPont Nemours and Company.

Kalrez® is a registered trademark of DuPont Dow Elastomers.

All other trademarks appearing in the Dixon illustrated product list are the property of their respective owners.

Copyright

Copyright © 2023 by Dixon Valve & Coupling Company, LLC

All rights reserved. This book is copyrighted material. Use, reproduction or copying of it by anyone other than Dixon® is strictly forbidden without its express written consent.

NOTE: Reasonable care has been taken in preparing this catalog. Dixon Valve & Coupling Company, LLC reserves the right to make corrections.

