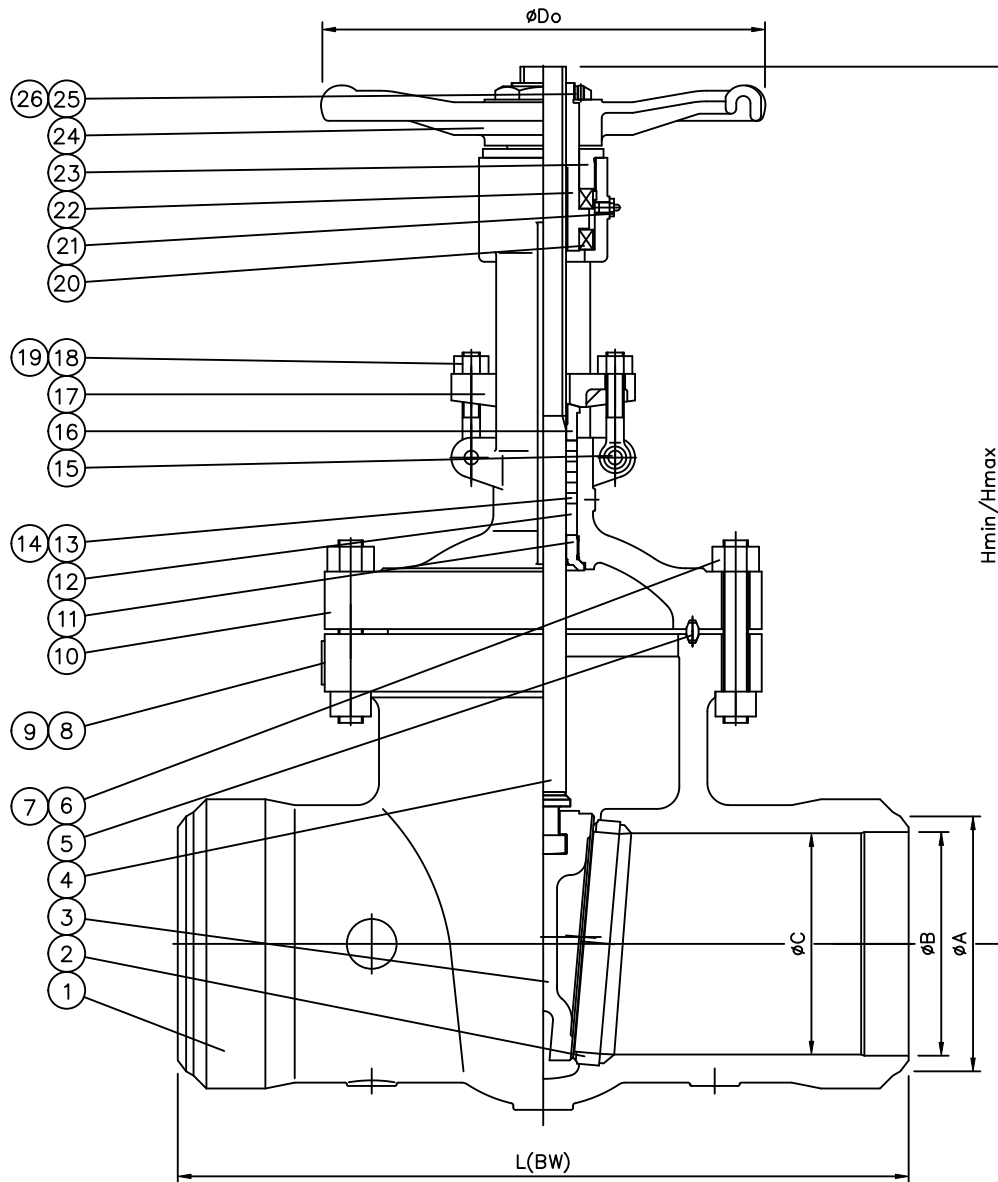



REV.	ECN	DESCRIPTION	DATE	DRAWN BY	APPROVED
00	-	ORIGINAL ISSUE - RND# 000073	11/1/22	CK	DF
01	ECN000906	ADDED Cv VALUES TO DIMENSION CHART	12/5/22	CK	DF



NO.	PART NAME	MATERIAL
1	BODY	A216 WCB
2	SEAT RING	ASTM A105+STL
3	WEDGE	A216 WCB+STL
4	STEM	A182 F6a
5	SEAL RING	A29 1008
6	BOLT	A193 B7
7	NUT	A194 2H
8	NAMEPLATE	A666 304
9	RIVET	A666 304
10	BONNET	A216 WCB
11	BACKSEAT RING	A276 420
12	PACKING WASHER	A276 420
13	PACKING	FLEXIBLE GRAPHITE
14	PACKING	BRAIDED GRAPHITE
15	PIN	AISI 1045
16	GLAND	A276 420
17	GLAND FLANGE	A216 WCB
18	EYEBOLT	A193 B7
19	NUT	A194 2H
20	THRUST BEARINGS	STEEL
21	GREASE NIPPLE	STEEL
22	STEM NUT	A439 D-2
23	RETAINING NUT	AISI 1025
24	HANDWHEEL	ASTM A536
25	HANDWHEEL NUT	AISI 1025
26	SCREW	AISI 1035

SPECIFICATION:
 *BASIC DESIGN: API600
 *BUTT WELDING ENDS: ASME B16.25
 *FACE TO FACE: ASME B16.10

SIZE	DIXON P/N	ϕC	L(BW)	ϕB	ϕA	SCH. NO.	Hmin	Hmax	ϕDo	WEIGHT	Cv
6"	D866105-600	6.00	22.00	6.07	6.78	40#	26.14	32.56	19.69	357.2	427.5
8"	D866105-800	8.00	26.00	7.98	8.78	40#	30.79	39.13	23.62	617.3	752.2

 DIXON VALVE AND COUPLING COMPANY 6525 HOMESTEAD RD., HOUSTON, TX 77028, USA (713) 678-4291 (877) 963-4966		
CAST STEEL GATE VALVE 6" & 8" CLASS 600		
SIZE A	DWG NO. D866105-600-800	REV 01

5

4

3

2

1