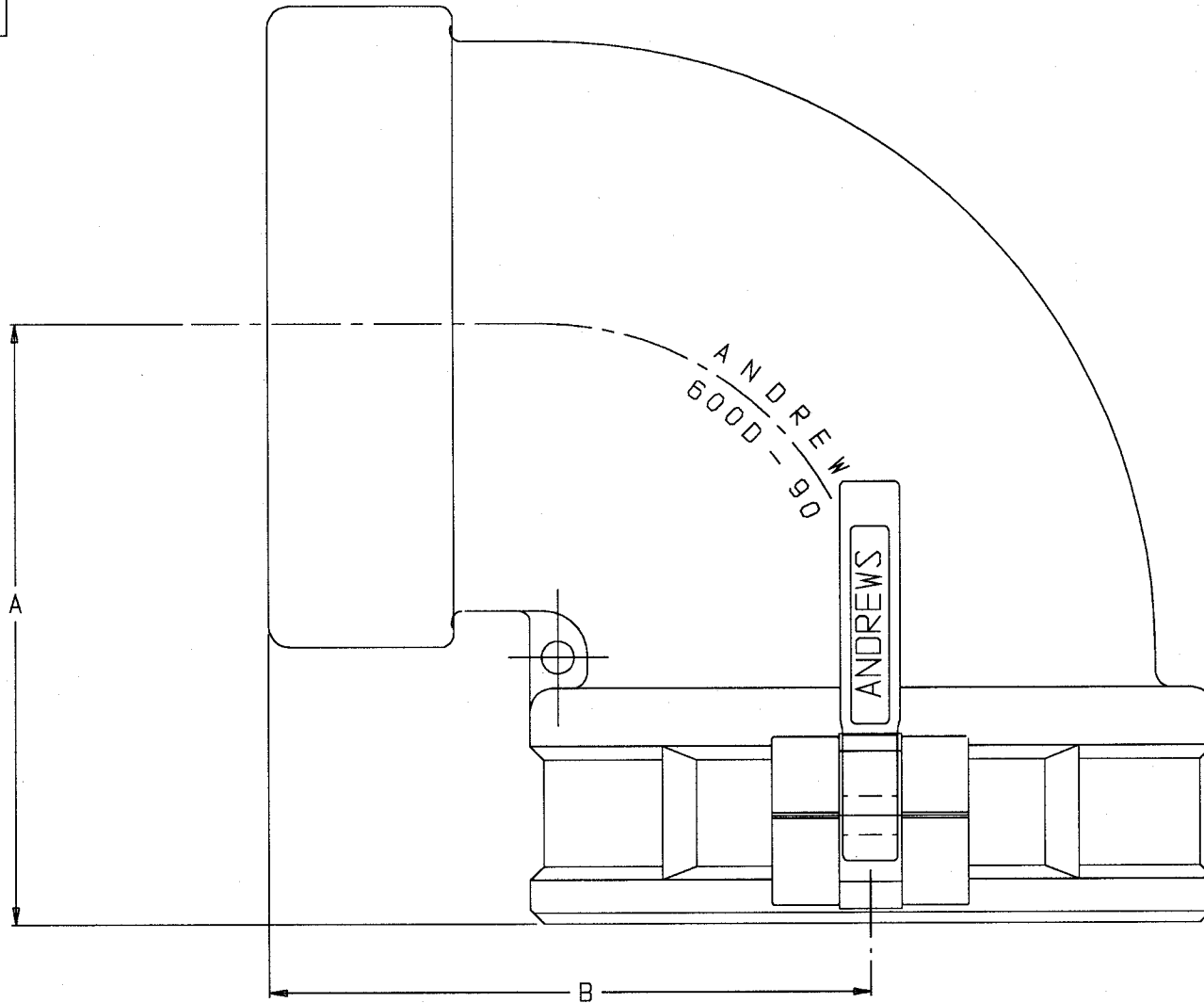


# 3175CU1

SIZE  
**A**

CLUST. DWG.



CLUST. DWG.

	600D-90AL NEW	600D-90AL OLD
A	6 7/8	8 3/16
B	6 7/8	7 1/16

REV	BY	DATE	DESCRIPTION	TOLERANCES (UNLESS NOTED)	DIXON VALVE & COUPLING CO. U. S. A.			
				DECIMAL ± .005	TITLE 6" COUPLER X NPT			
				FRACTION ± 1/64				
				ANGLE 1°				
				NO SCALE				
				PART No.: 600D-90AL	DRAWN BY: <i>RNJ</i> 5/26/94	ENG CHECK:	MFG CHECK:	APPROVAL: <i>[Signature]</i>
				MAT'L ALUMINUM 356-T6 ATSM# B26	<b>3175CU1</b>			SIZE <b>A</b>

