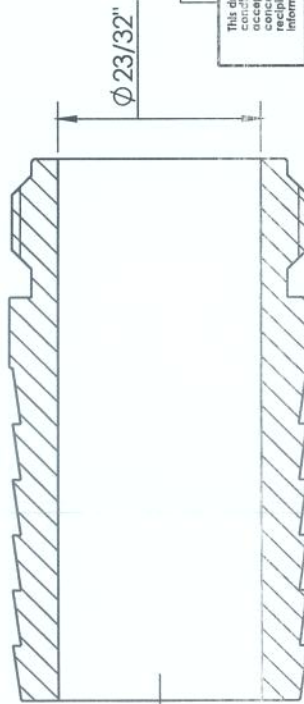
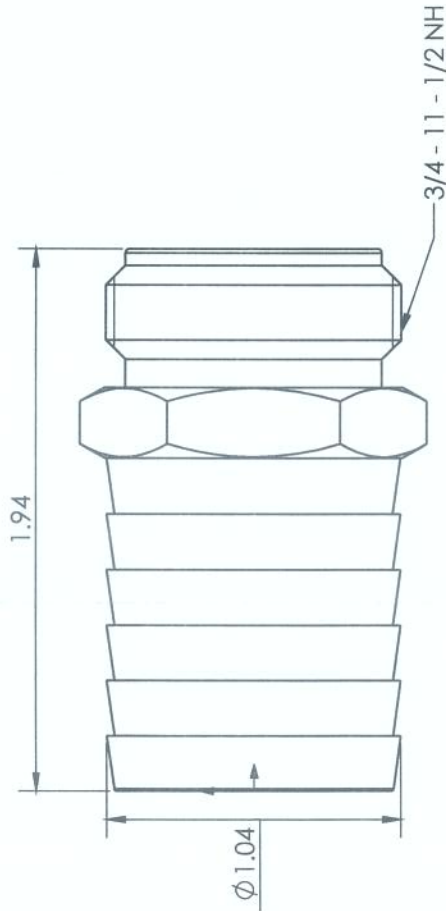
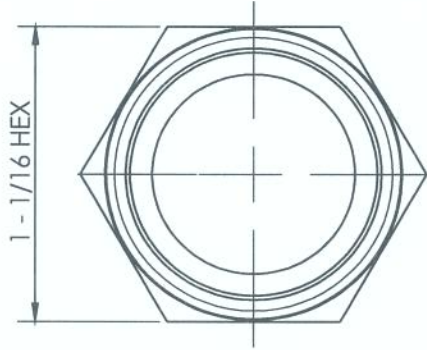


LINE DRAWING NOT FOR PRODUCTION PURPOSES



MATERIAL 1 - 1/16 HEX ALLOY 360 BRASS

This drawing is owned by Dixon Valve & Coupling Co. and shall be returned upon demand. It is loaned on condition that it shall not be copied or reproduced or submitted to others without the owners consent. In accepting it, subject to this condition, the recipient further agrees that this drawing or any design detail or concept disclosed herein shall not be used in any work or project in competition with the owner. If the recipient does not agree to these terms, the drawing shall not be used and the drawing shall be destroyed. If the information contained in this drawing is subject to change without notice, the owner shall be notified immediately.

 Dixon Brass Westmont, Illinois USA <small>The Paper Connection</small>	DATE	12/14/17
	APPROVED	H. BARRERA

DO NOT SCALE THIS DRAWING	
SIZE	A
DWG. NO.	5901612C
REV	A

TITLE: 1" BARB GARDEN HOSE MALE