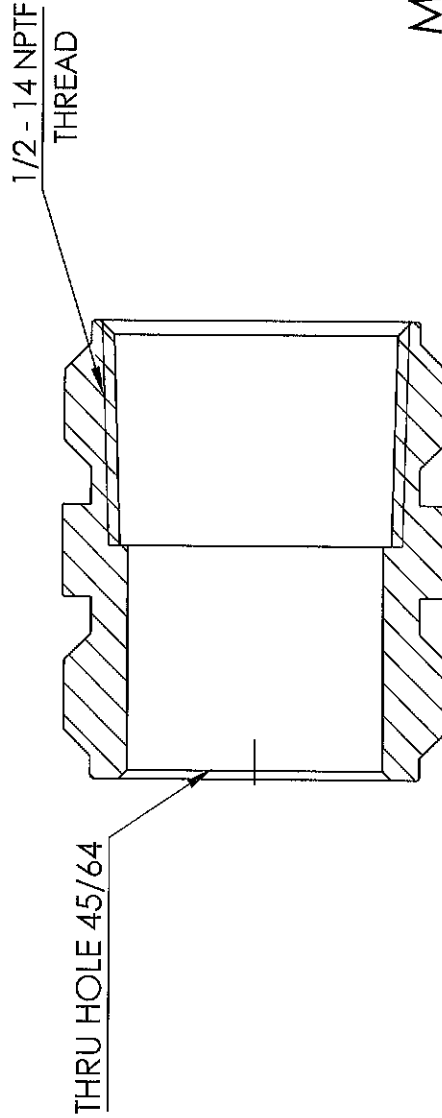
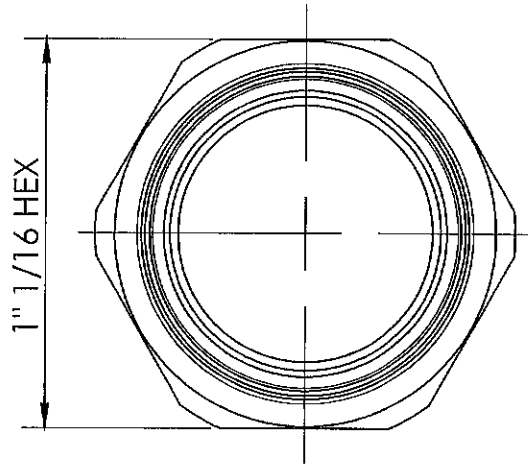
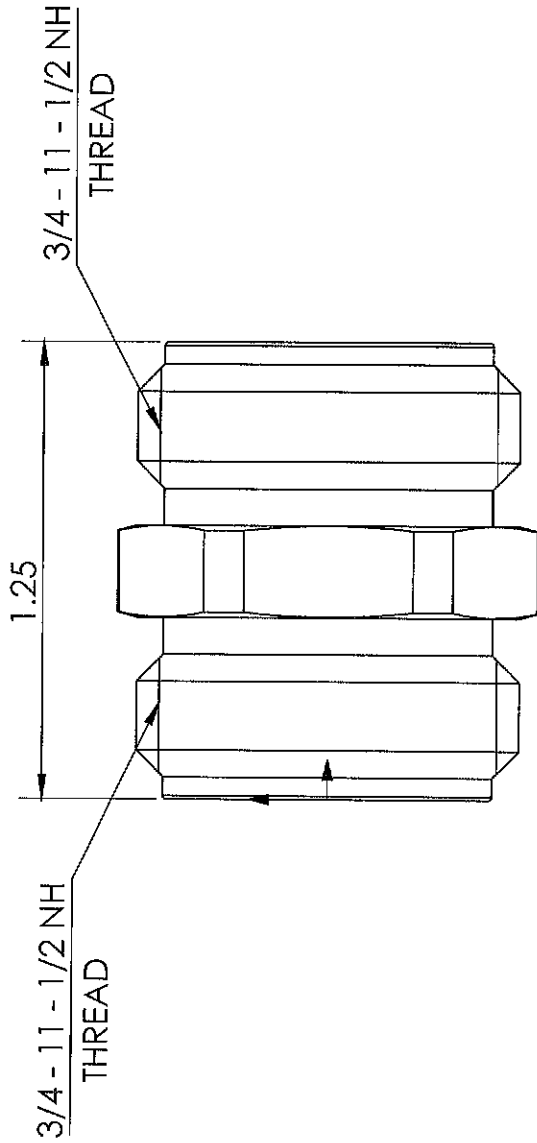


LINE DRAWING NOT FOR PRODUCTION PURPOSES



MATERIAL ALLOY C2745 BRASS



Dixon Brass
Westmont, Illinois USA

DRAWN	DATE
P. MONAGHAN	7/22/19
APPROVED	DATE
ECO NO.	

DO NOT SCALE THIS DRAWING	
SIZE	REV
A	A
DWG. NO. 5091212CLF	
TITLE: ADAPTER DOUBLE END GARDEN HOSE	

This drawing is owned by Dixon Valve & Coupling Co. and shall be returned upon demand. It is loaned on condition that it shall not be copied or reproduced or submitted to others without the owners consent. In accepting it, subject to this condition, the recipient further agrees that this drawing or any design detail or concept disclosed herein shall not be used in any way detrimental to or in competition with the owner. If the recipient does not agree to the terms of this agreement they shall return this drawing immediately. The information contained in this drawing is subject to change without notice.