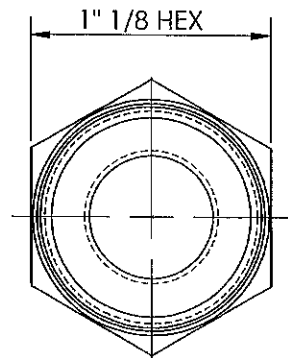
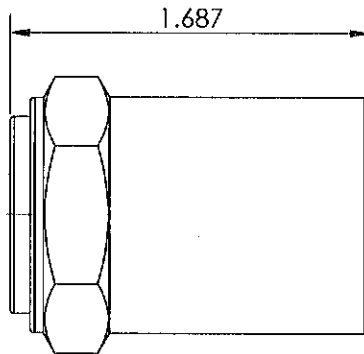
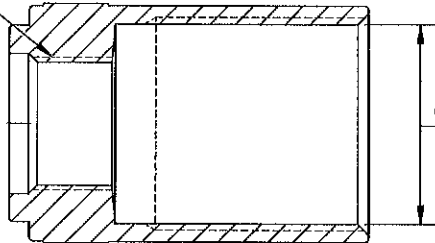


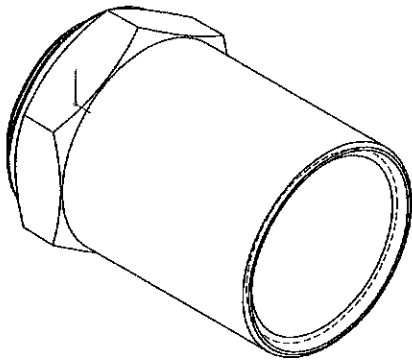
LINE DRAWING NOT FOR PRODUCTION PURPOSES




5/8 -18 UNF-2B
HOSE I.D. 1/2

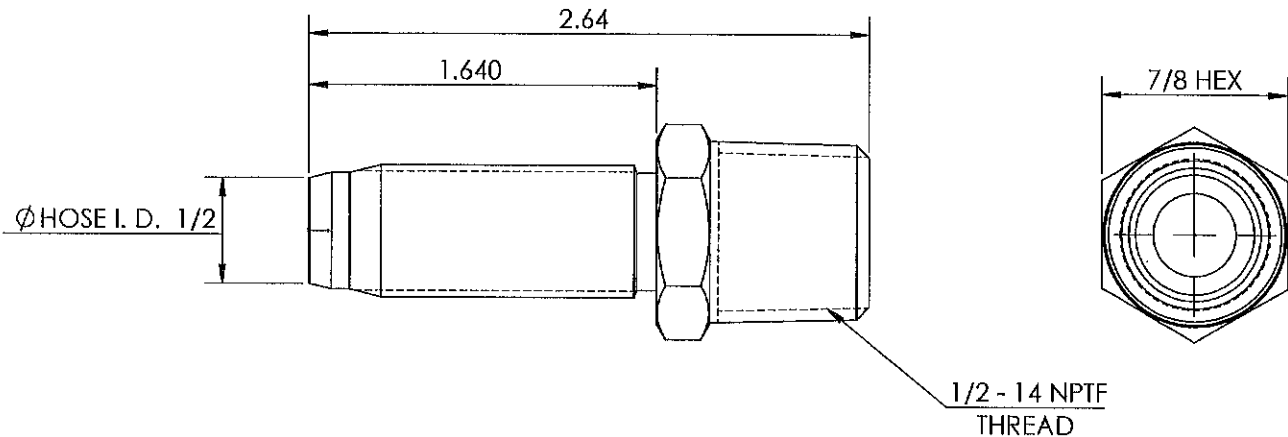


Ø HOSE O.D. 15/16



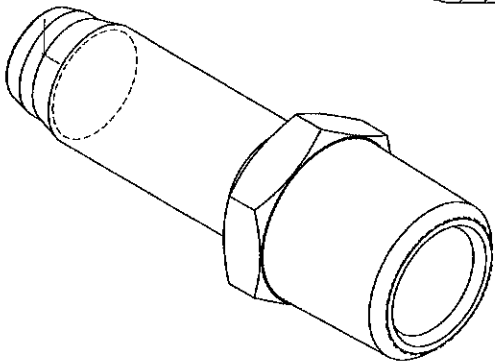
THIS DRAWING CONTAINS INFORMATION DEEMED PROPRIETARY TO DIXON BRASS AND IS SO TO BE USED ONLY FOR THE PURPOSE FOR WHICH IT IS SUBMITTED, AND FURTHER, SHALL NOT BE COPIED IN WHOLE OR IN PART WITHOUT EXPRESS WRITTEN PERMISSION FIRST OBTAINED FROM DIXON BRASS.			
UNLESS OTHERWISE SPECIFIED:			
DIMENSIONS ARE IN INCHES		 The Right Connection™	DRAWN P. MONAGHAN APPROVED
TOLERANCES: ANGLES: ±0°30' .X (±.010) .XX (±.010) .XXX (±.005)			DATE 4/20/15 DATE
DIXON		Dixon Brass Westmont, Illinois USA	
TITLE: REUSABLE FERRULE		DRAWING NOT REPRODUCED TO SCALE	
SIZE A	DWG. NO. 1800815F	REV C	


LINE DRAWING NOT FOR PRODUCTION PURPOSES



THRU HOLE DIA. .390

1/2 - 14 NPTF
THREAD



THIS DRAWING CONTAINS INFORMATION DEEMED PROPRIETARY TO DIXON BRASS AND IS TO BE USED ONLY FOR THE PURPOSE FOR WHICH IT IS SUBMITTED, AND FURTHER, SHALL NOT BE COPIED IN WHOLE OR IN PART WITHOUT EXPRESS WRITTEN PERMISSION FIRST OBTAINED FROM DIXON BRASS.			
UNLESS OTHERWISE SPECIFIED:			
DIMENSIONS ARE IN INCHES			
TOLERANCES:			
ANGLES: $\pm 0^{\circ}30'$			
.X ($\pm .015$)			
.XX ($\pm .010$)			
.XXX ($\pm .005$)			
DIMENSIONS PER ANSI Y14.5			
 The Right Connection™	Dixon Brass Westmont, Illinois USA		DRAWN P. MONAGHAN APPROVED DATE 4/28/15
	TITLE: REUSABLE MALE STEM		ECO NO. DATE
DRAWING NOT REPRODUCED TO SCALE		SIZE A	DWG. NO. 1820808S
		REV B	