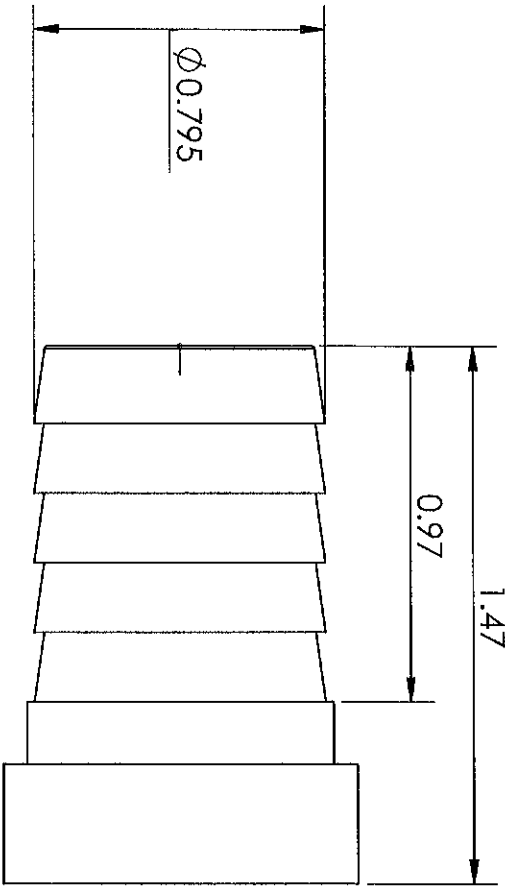
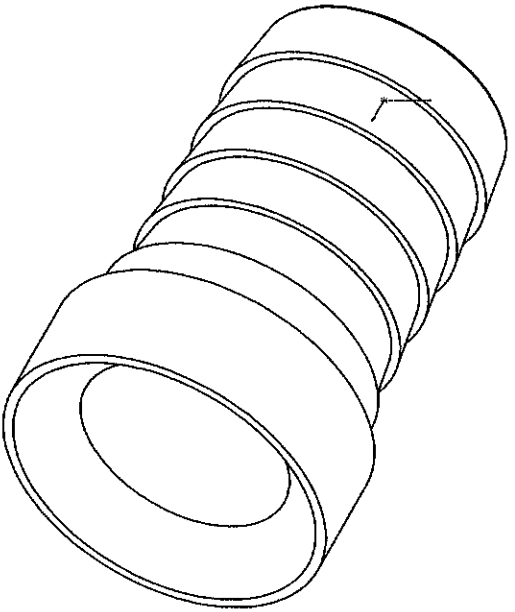
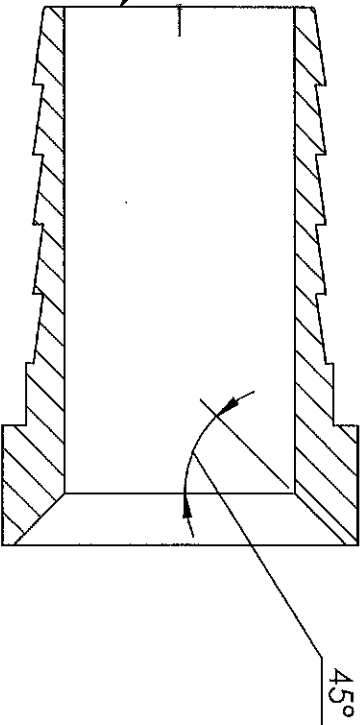


LINE DRAWING NOT FOR PRODUCTION PURPOSES



THRU HOLE DIA. .625



THIS DRAWING CONTAINS INFORMATION DEEMED PROPRIETARY TO DIXON BRASS AND IS SO TO BE USED ONLY FOR THE PURPOSE FOR WHICH IT IS SUBMITTED, AND FURTHER, SHALL NOT BE COPIED IN WHOLE OR IN PART WITHOUT EXPRESS WRITTEN PERMISSION FIRST OBTAINED FROM DIXON BRASS.

UNLESS OTHERWISE SPECIFIED:

DIMENSIONS ARE IN INCHES

TOLERANCES:

ANGLES: $\pm 0^\circ 30'$

.X ($\pm .015$)

.XX ($\pm .010$)

.XXX ($\pm .005$)

DIMENSIONS PER ANSI Y14.5



Dixon Brass
Westmont, Illinois USA

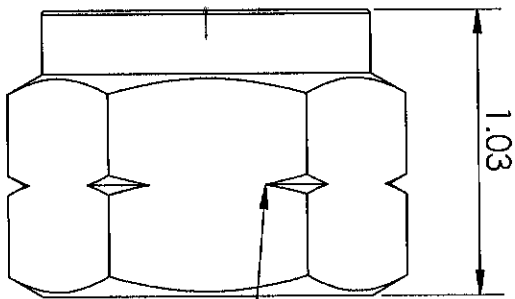
DRAWN: P. MONAGHAN
DATE: 5/19/14
APPROVED: [Signature]
ECO NO.:

TITLE: FEMALE SWIVEL STEM
45 DEG. SEAT

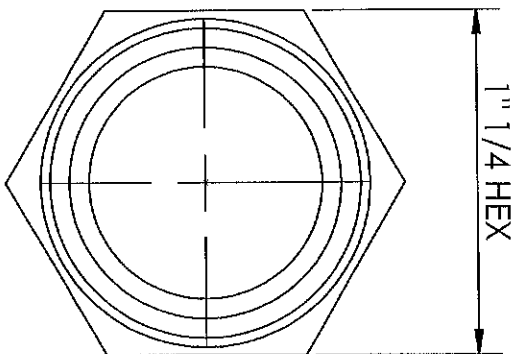
SIZE: A
DWG. NO.: 1441217S
REV: B

DRAWING NOT REPRODUCED TO SCALE

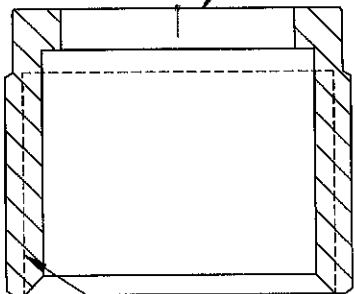
LINE DRAWING NOT FOR PRODUCTION PURPOSES



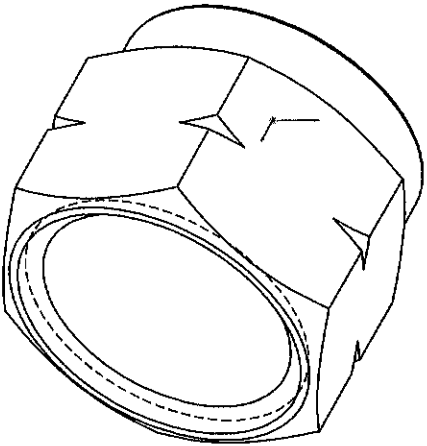
V GROOVE DENOTES
THREAD TYPE



THRU HOLE DIA.
0.850
0.845



1" 1/16 - 14 UNS 2B
THREAD



THIS DRAWING CONTAINS INFORMATION DEEMED PROPRIETARY TO DIXON BRASS AND IS SO TO BE USED ONLY FOR THE PURPOSE FOR WHICH IT IS SUBMITTED, AND FURTHER, SHALL NOT BE COPIED IN WHOLE OR IN PART WITHOUT EXPRESS WRITTEN PERMISSION FIRST OBTAINED FROM DIXON BRASS.

UNLESS OTHERWISE SPECIFIED:

DIMENSIONS ARE IN INCHES

TOLERANCES:

ANGLES: -0° 30'

X (+.015)

.XX (+.010)

.XXX (+.005)

DIMENSIONS PER ANSI Y14.5



Dixon Brass
Washington, Illinois USA

TITLE:

SAE FEMALE SWIVEL NUT

DRAWN	DATE
P. MONAGHAN	5/27/14
APPROVED	DATE
ECO NO.	

DRAWING NOT REPRODUCED TO SCALE

SIZE	DWG. NO.	REV
A	1441217N	A