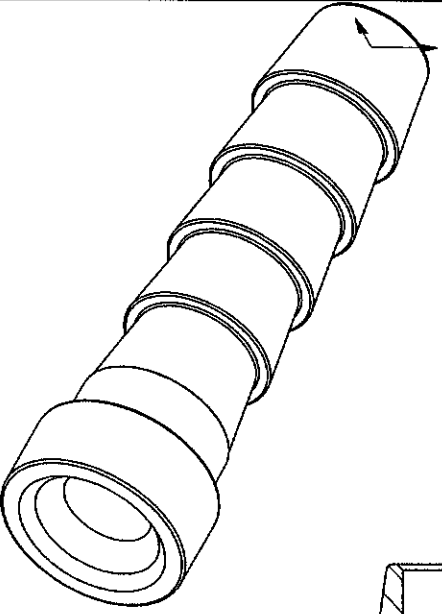
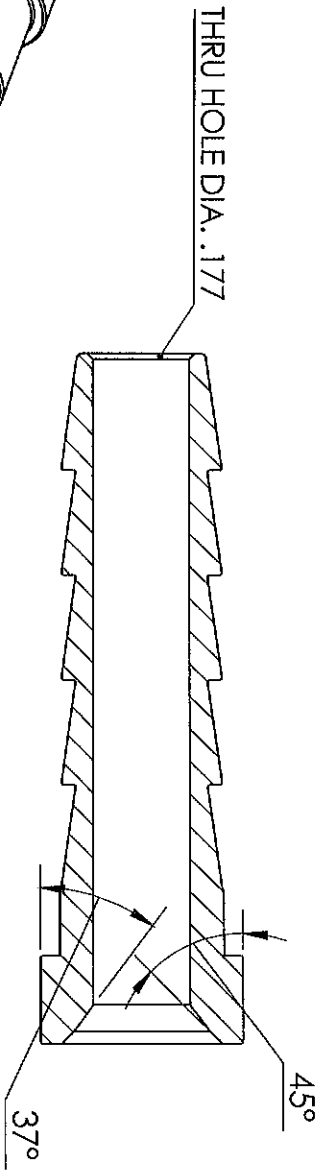
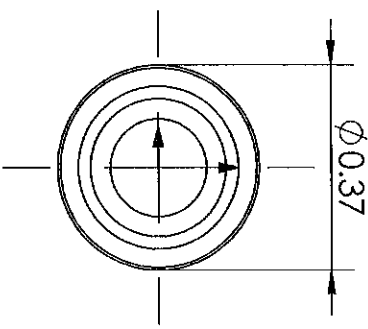
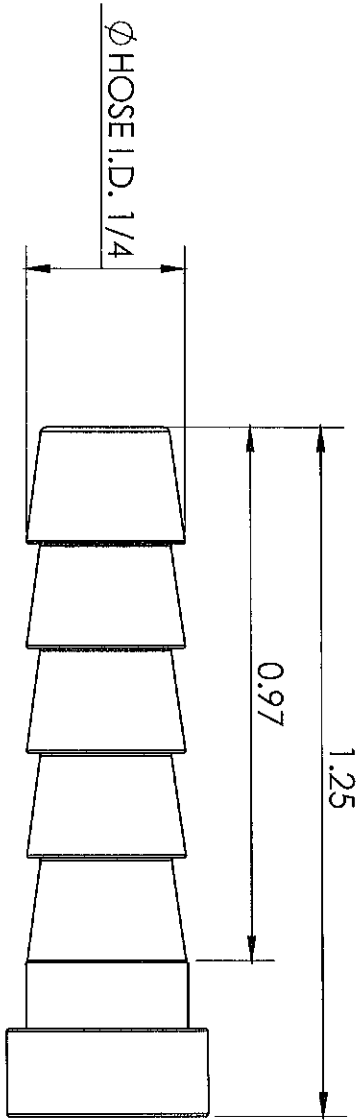


LINE DRAWING NOT FOR PRODUCTION PURPOSES



This drawing is owned by Dixon Valve & Coupling Co. and shall be returned upon demand. It is loaned on condition that it shall not be copied or reproduced in any way without the written permission of Dixon Valve & Coupling Co. If it is so used, the recipient further agrees that this drawing or any design detail or concept disclosed herein shall not be used in any way detrimental to or in competition with the owner. If the recipient does not agree to the terms of this agreement they shall return this drawing immediately. The information contained in this drawing is subject to change without notice.

MATERIAL ALLOY 2754 LEAD FREE BRASS

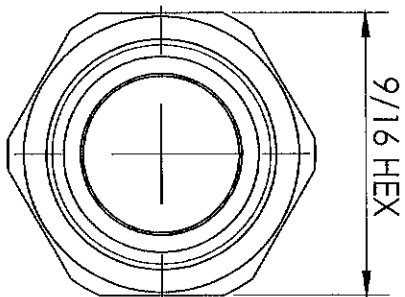
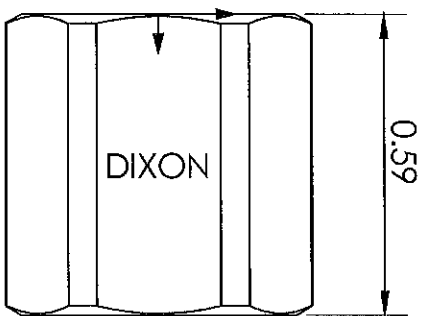


Dixon Brass
Westmont, Illinois USA

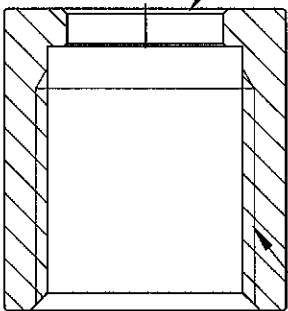
DRAWN P. MONAGHAN DATE 1/8/20
APPROVED DATE
ECO NO.

TITLE:		DO NOT SCALE THIS DRAWING	
FEMALE SWIVEL STEM DUAL ANGLE SEAT		SIZE	REV
		A	A
		DWG. NO.	
		1430407SLF	

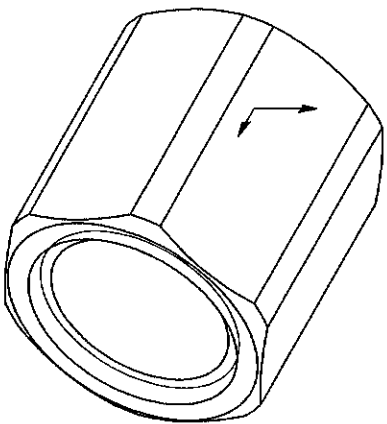
LINE DRAWING NOT FOR PRODUCTION PURPOSES



THRU HOLE 5/16



7/16 - 20 UNF
THREAD



This drawing is owned by Dixon Valve & Coupling Co. and shall be returned upon demand. It is loaned on condition that it shall not be copied, reproduced or substituted for without the express consent in writing of the recipient. If the recipient further agrees that this drawing or any design detail or concept disclosed herein shall not be used in any way detrimental to or in competition with the owner, if the recipient does not agree to the terms of this agreement they shall return this drawing immediately. The information contained in this drawing is subject to change without notice.

MATERIAL ALLOY 2754 LEAD FREE BRASS



Dixon Brass
Westmont, Illinois USA

TITLE:

SAE FEMALE
SWIVEL NUT

DRAWN	DATE
P. MONAGHAN	1/9/20
APPROVED	DATE
ECO NO.	

DO NOT SCALE THIS DRAWING

SIZE DWG. NO. 1440307NLF

REV A