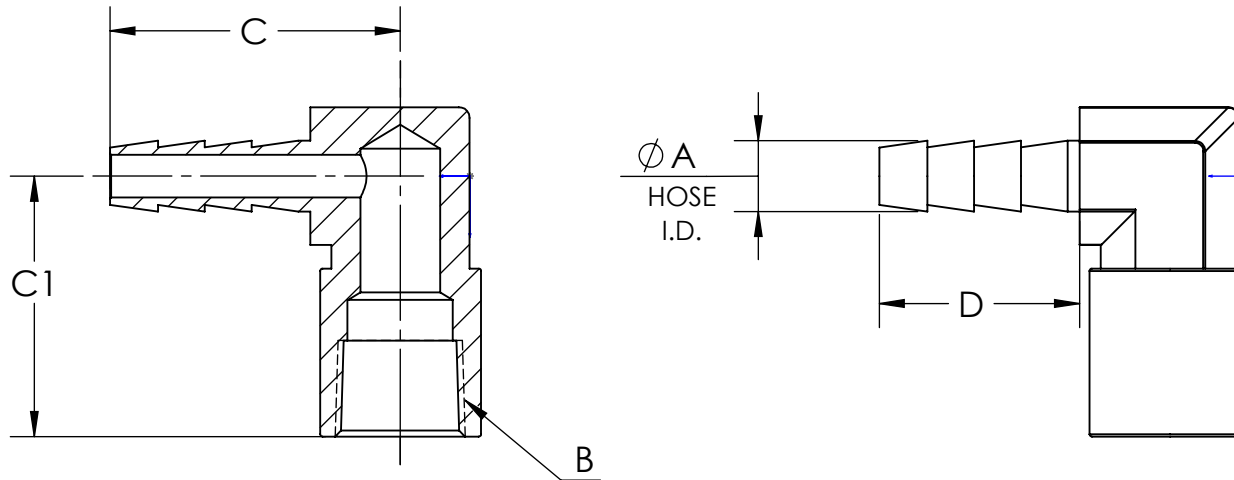



LINE DRAWING NOT FOR PRODUCTION PURPOSES



PART NUMBER	A HOSE I.D.	B NPTF THREAD	C CENTERLINE	C1 CENTERLINE	NO. BARBS	D BARB LENGTH
1340402C	1/4	1/8 - 27	1.23	.92	3	.79
1340404C	1/4	1/4 - 18	1.21	1.08	3	.79
1340604C	3/8	1/4 - 18	1.21	1.08	3	.79
1340606C	3/8	3/8 - 18	1.31	1.11	3	.79
1340804C	1/2	1/4 - 18	1.37	1.04	3	.87
1340806C	1/2	3/8 - 18	1.41	1.11	3	.87
1340808C	1/2	1/2 - 14	1.54	1.28	3	.87
1341212C	3/4	3/4 - 14	1.78	1.59	3	.89

MATERIAL: FORGED C3604 BRASS ALLOY

 <i>The Right Connection™</i>	Dixon Brass Westmont, Illinois USA		DRAWN P. MONAGHAN	DATE 6/25/20
			APPROVED	DATE
			ECO NO.	
TITLE: NPTF 90° ELBOW HOSE BARB TO FEMALE NPTF		DO NOT SCALE THIS DRAWING		
SIZE A	DWG. NO. 134 SERIES	REV A		

This drawing is owned by Dixon Valve & Coupling Co. and shall be returned upon demand. It is loaned on condition that it shall not be copied or reproduced or submitted to others without the owners consent. In accepting it, subject to this condition, the recipient further agrees that this drawing or any design detail or concept disclosed herein shall not be used in any way detrimental to or in competition with the owner. If the recipient does not agree to the terms of this agreement they shall return this drawing immediately. The information contained in this drawing is subject to change without notice.