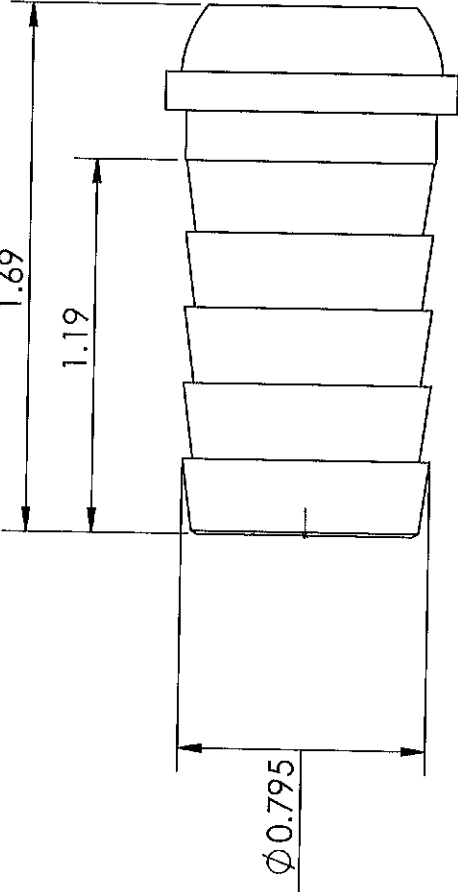
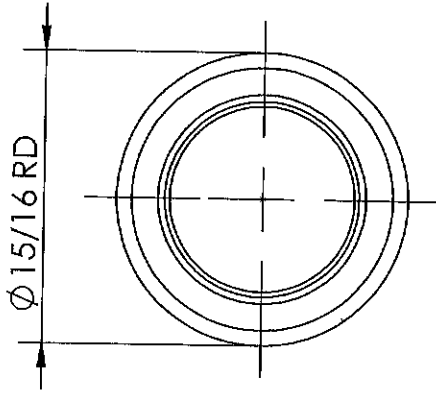
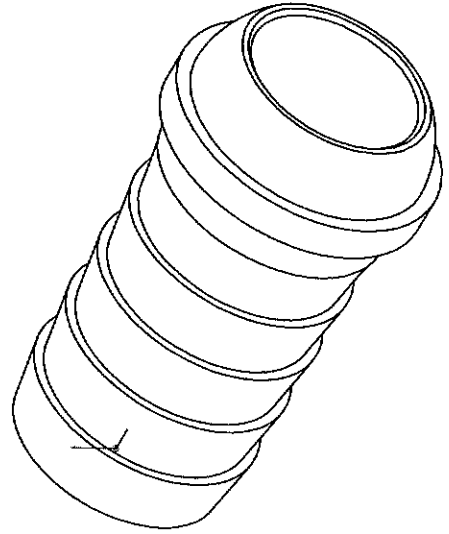
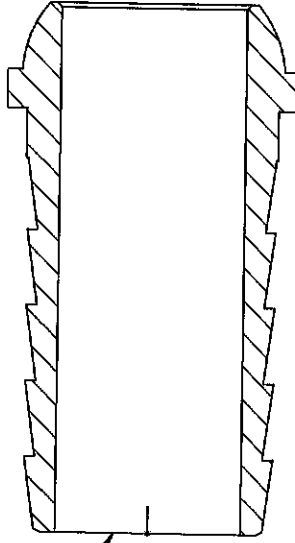


LINE DRAWING NOT FOR PRODUCTION PURPOSES



THRU HOLE DIA. 19/32



MATERIAL 15/16 RD ALLOY 360 BRASS

This drawing is owned by Dixon Valve & Coupling Co. and shall be returned upon demand. It is loaned on condition that it shall not be copied or reproduced or submitted to others without the owners consent. In accepting it, subject to this condition, the recipient further agrees that this drawing or any design detail or concept disclosed herein shall not be used in any way detrimental to or in competition with the owner. If the recipient does not agree to the terms of this agreement they shall return this drawing immediately. The information contained in this drawing is subject to change without notice.

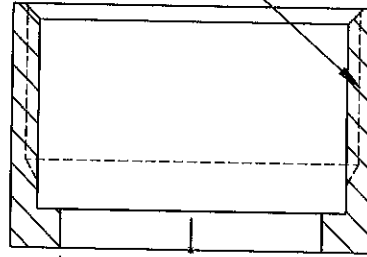
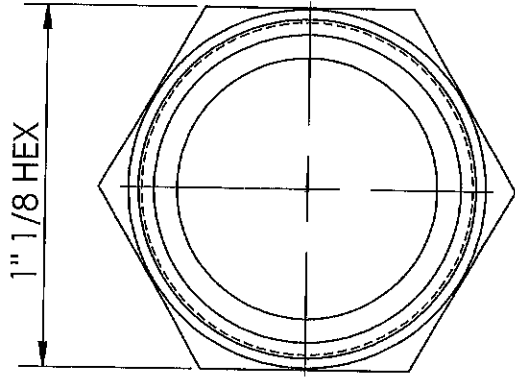
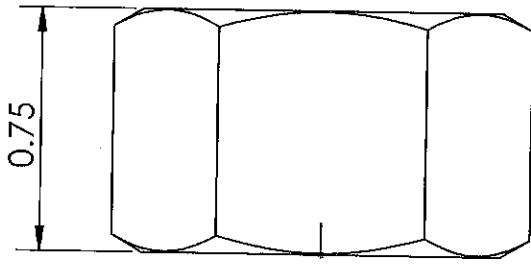


Dixon Brass
Westmont, Illinois USA

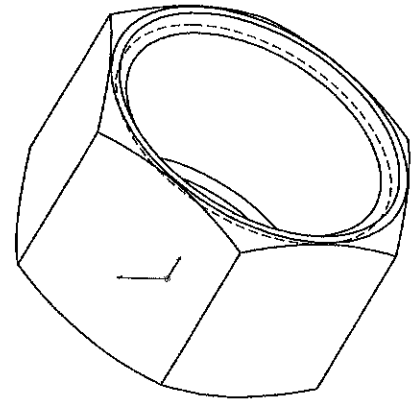
DRAWN	DATE
P. MCNAGHAN	11/4/16
APPROVED	DATE
ECO NO.	

TITLE: 3/4 SWIVEL STEM BALL TYPE		DRAWING NOT REPRODUCED TO SCALE	
SIZE	DWG. NO.	REV	
A	1241212S	D	

LINE DRAWING NOT FOR PRODUCTION PURPOSES



3/4 - 14 NPSM
THREAD



THIS DRAWING CONTAINS INFORMATION DEEMED PROPRIETARY TO DIXON BRASS AND IS SO TO BE USED ONLY FOR THE PURPOSE FOR WHICH IT IS SUBMITTED, AND FURTHER, SHALL NOT BE COPIED IN WHOLE OR IN PART WITHOUT EXPRESS WRITTEN PERMISSION FIRST OBTAINED FROM DIXON BRASS, UNLESS OTHERWISE SPECIFIED:

DIMENSIONS ARE IN INCHES
TOLERANCES:
ANGLES: $\pm 30^\circ$
X (± 0.15)
XX (± 0.10)
XXX (± 0.05)
DIMENSIONS PER ANSI Y14.5



Dixon Brass
Westmont, Illinois USA

DRAWN: P. MCNAGHAN
DATE: 2/27/14
APPROVED: [Signature]
DATE: [Blank]
ECO NO. [Blank]

TITLE: FEMALE SWIVEL NUT
3/4 - 14NPSM
SIZE: A
DWG. NO.: 1241212N
REV: D

DRAWING NOT REPRODUCED TO SCALE