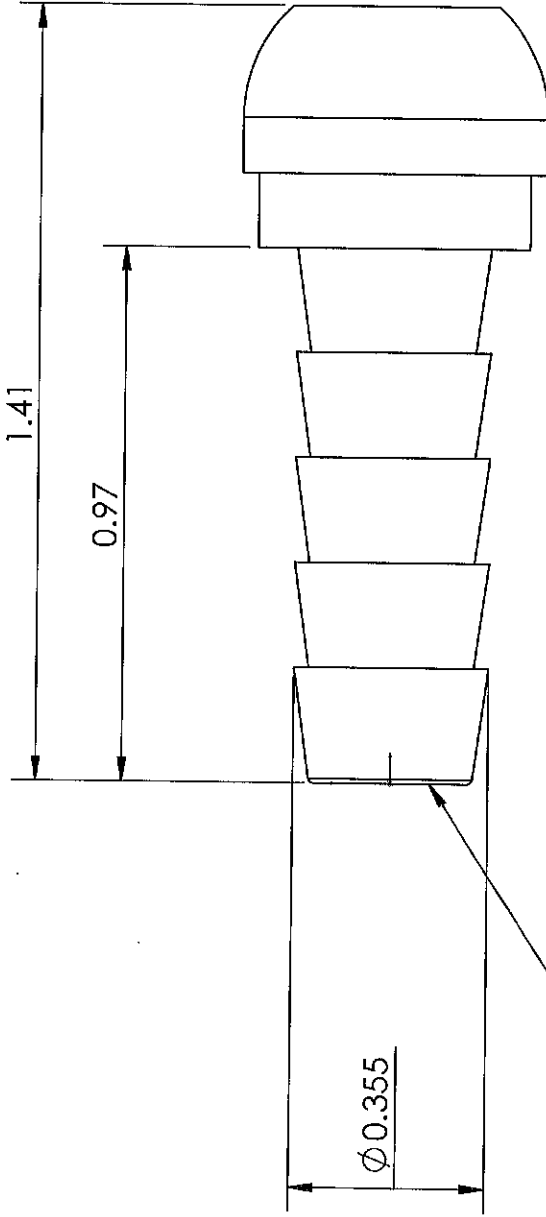
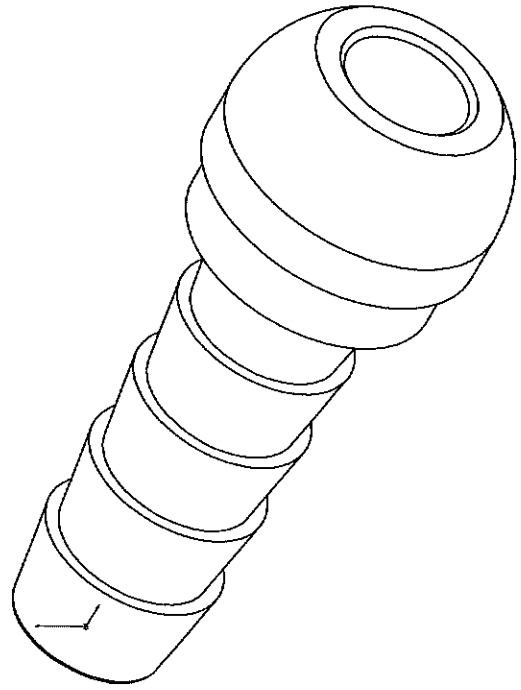


LINE DRAWING NOT FOR PRODUCTION PURPOSES



THRU HOLE DIA. .250



THIS DRAWING CONTAINS INFORMATION DEEMED PROPRIETARY TO DIXON BRASS AND IS SO TO BE USED ONLY FOR THE PURPOSE FOR WHICH IT IS SUBMITTED, AND FURTHER, SHALL NOT BE COPIED IN WHOLE OR IN PART WITHOUT EXPRESS WRITTEN PERMISSION FIRST OBTAINED FROM DIXON BRASS, UNLESS OTHERWISE SPECIFIED:

DIMENSIONS ARE IN INCHES
TOLERANCES:
ANGLES: $\pm 30^\circ$
X (± 0.15)
XX (± 0.10)
XXX (± 0.05)
DIMENSIONS PER ANSI Y14.5

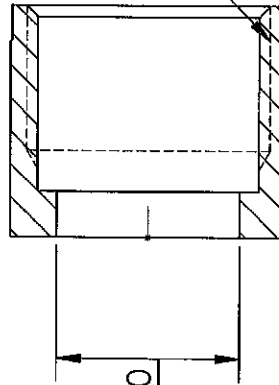
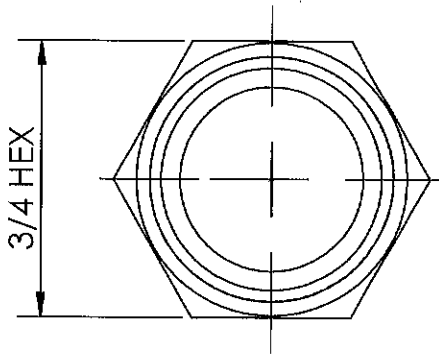
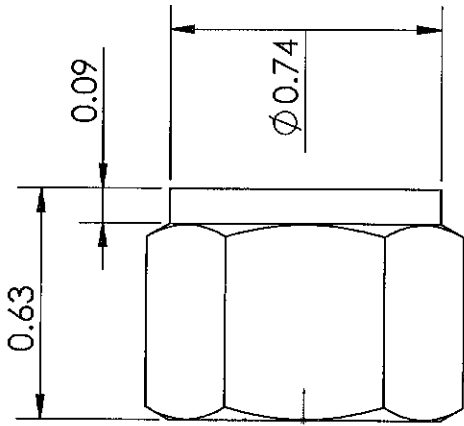


Dixon Brass
Westmont, Illinois USA

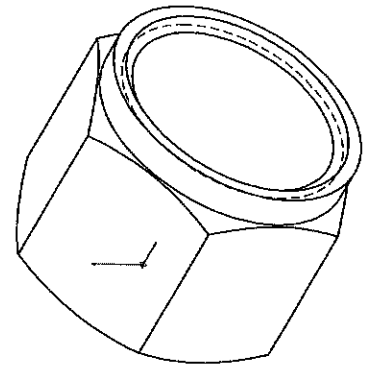
DRAWN		DATE
P. MONAGHAN		2/27/14
APPROVED		DATE
ECO NO.		
DRAWING NOT REPRODUCED TO SCALE		
SIZE	DWG. NO.	REV
A	1240506S	B


TITLE:
5/16 SWIVEL STEM
BALL TYPE

LINE DRAWING NOT FOR PRODUCTION PURPOSES



(THRU HOLE DIA.) Ø0.50



THIS DRAWING CONTAINS INFORMATION DEEMED PROPRIETARY TO DIXON BRASS AND IS TO BE USED ONLY FOR THE PURPOSE FOR WHICH IT IS SUBMITTED, AND FURTHER, SHALL NOT BE COPIED IN WHOLE OR IN PART WITHOUT EXPRESS WRITTEN PERMISSION FIRST OBTAINED FROM DIXON BRASS UNLESS OTHERWISE SPECIFIED:		DATE	
DRAWN		DATE	
P. MONAGHAN		2/27/14	
APPROVED		DATE	
ECO NO.			
 Dixon Brass Westmont, Illinois USA		DRAWING NOT REPRODUCED TO SCALE	
TITLE: FEMALE SWIVEL NUT 3/8 - 18 NPSM		SIZE	REV
DIMENSIONS ARE IN INCHES TOLERANCES: ANGLES: +0°30' .X (± 0.15) .XX (± 0.10) .XXX (± 0.05) DIMENSIONS PER ANSI Y14.5		A	D
		DWG. NO.	
		1240406N	