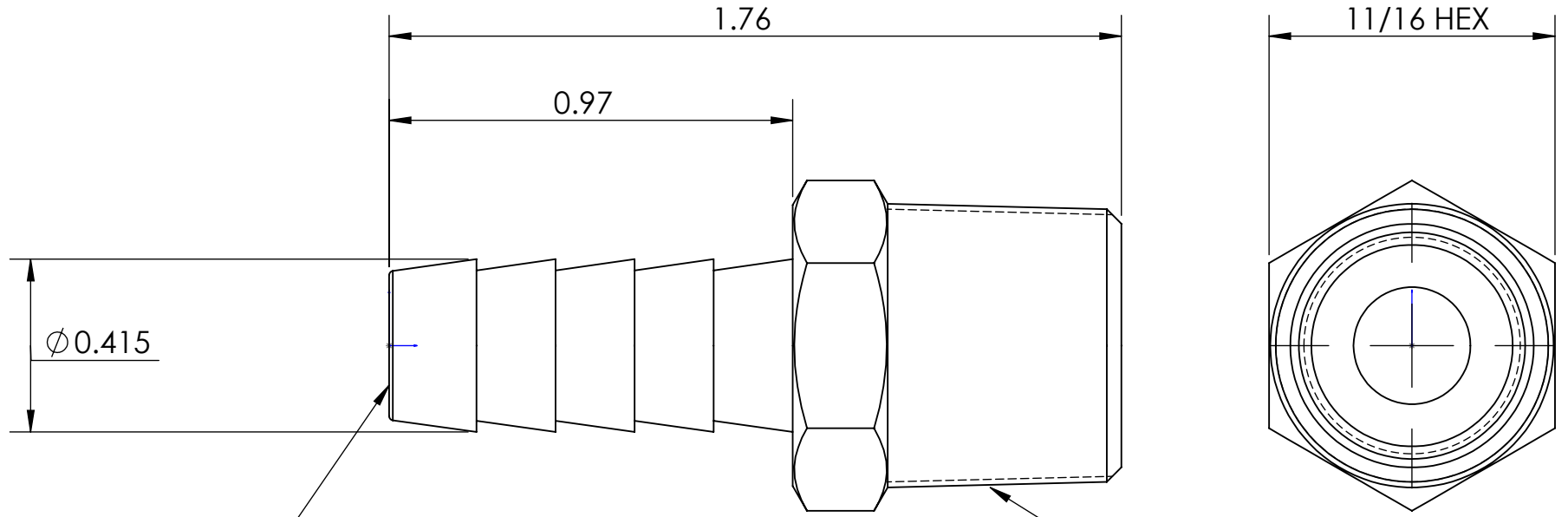



LINE DRAWING NOT FOR PRODUCTION PURPOSES



THRU HOLE DIA. .281

3/8-18NPTF
THREAD

THIS DRAWING CONTAINS INFORMATION DEEMED PROPRIETARY TO DIXON BRASS AND IS SO TO BE USED ONLY FOR THE PURPOSE FOR WHICH IT IS SUBMITTED, AND FURTHER, SHALL NOT BE COPIED IN WHOLE OR IN PART WITHOUT EXPRESS WRITTEN PERMISSION FIRST OBTAINED FROM DIXON BRASS.				
UNLESS OTHERWISE SPECIFIED:				
DIMENSIONS ARE IN INCHES		 Dixon Brass Westmont, Illinois USA	DRAWN P. MONAGHAN APPROVED	DATE 10/24/13 DATE
TOLERANCES: ANGLES: ±0°30' .X (±.015) .XX (±.010) .XXX (±.005)			ECO NO.	
DIMENSIONS PER ANSI Y14.5		TITLE: 3/8 MALE HOSE BARB X 3/8 - 18 NPTF	DRAWING NOT REPRODUCED TO SCALE	
		SIZE A	DWG. NO. 1020606C	REV D

