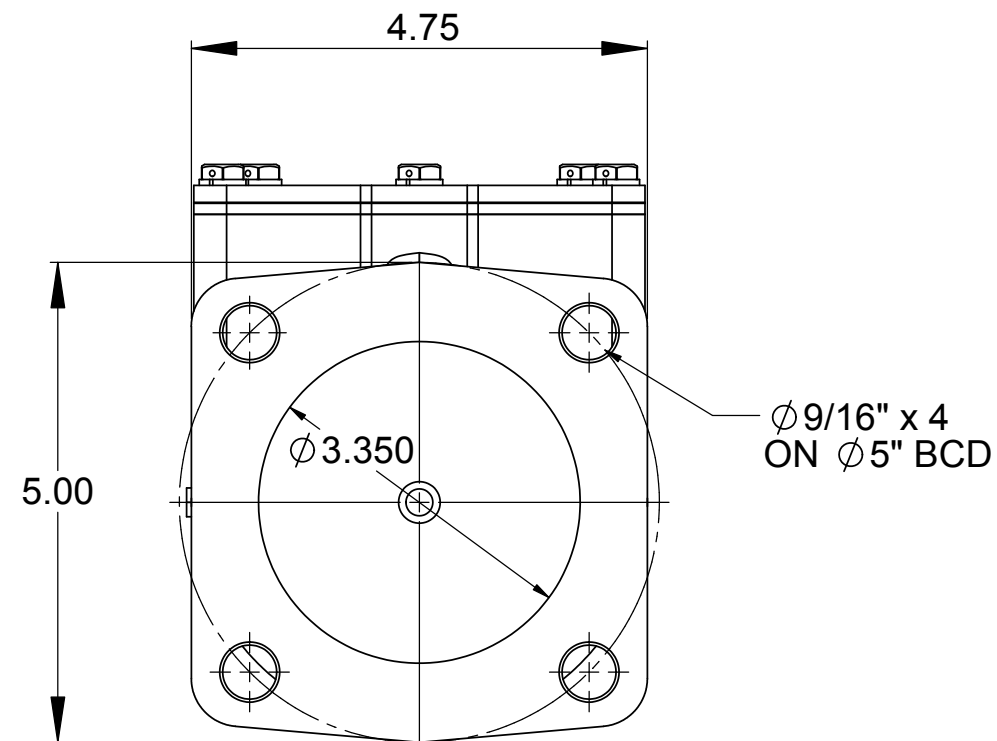
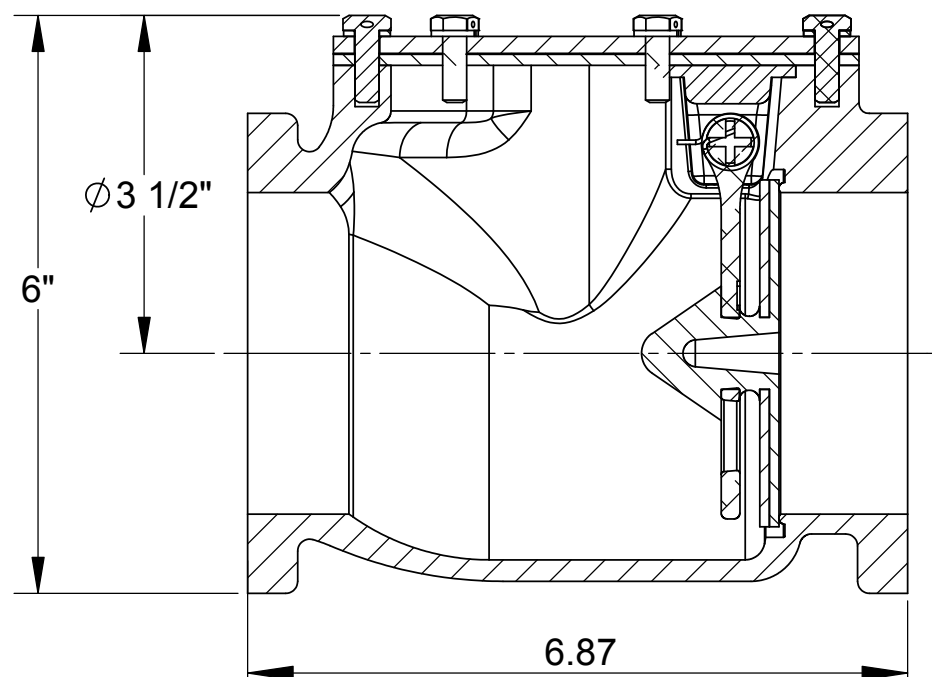
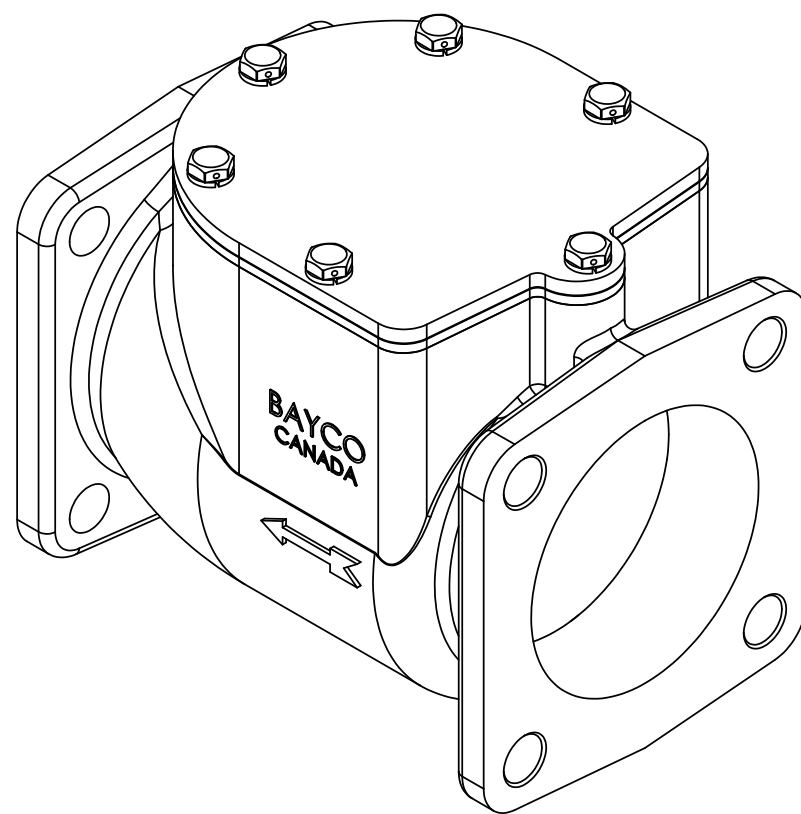
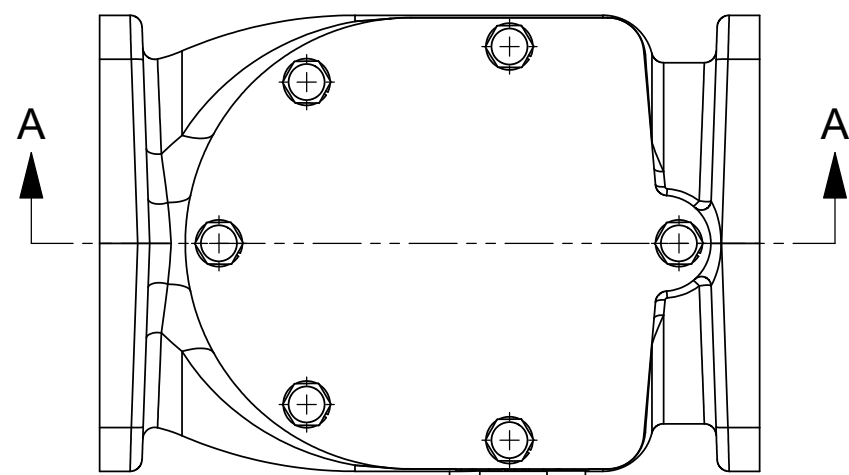


THE INFORMATION CONTAINED IN THIS DRAWING IS THE SOLE PROPERTY OF DIXON-BAYCO IND. ANY REPRODUCTION IN PART OR WHOLE WITHOUT THE WRITTEN PERMISSION OF DIXON BAYCO IS PROHIBITED.

REVISION TABLE				
REV.	ECO	DESCRIPTION	DATE	APPROVED
**	**	**	**	**



SECTION A-A
SCALE 1 : 2

DIMENSIONS ARE IN INCHES UNLESS OTHERWISE SPECIFIED
 TOLERANCES ARE:
 FRACTIONS DECIMALS ANGLES
 $\pm 1/16$.XX $\pm .03$ $\pm 1^\circ$
 .XXX $\pm .010$



DIXON BAYCO LIMITED
 2200 LOGAN AVE. WINNIPEG, MB. R2R 0J2
 PHONE (204) 633-5650 FAX (204) 633-6119

MATERIAL	---	
FINISH	---	
CAD GENERATED DRAWING; DO NOT MANUALLY UPDATE. DO NOT SCALE DRAWING		TITLE
APPROVALS		DATE
DRAWN BY	JEE	29 MAR 04
CHECKED	CM	29 MAR 04

3030SQ CUSTOMER DRAWING	
SIZE DWG. NO.	REV.
B 451959-C	0
ECO	SHEET 1 OF 1