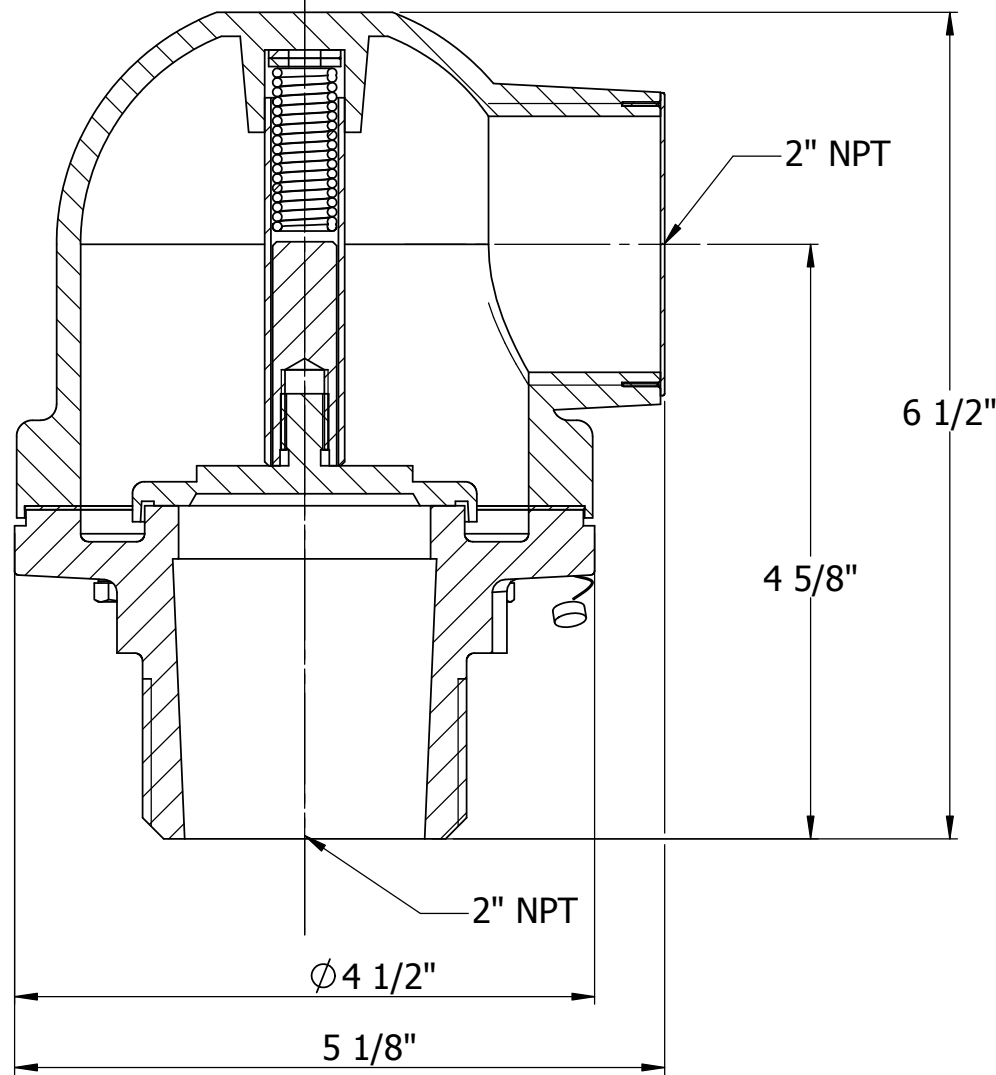
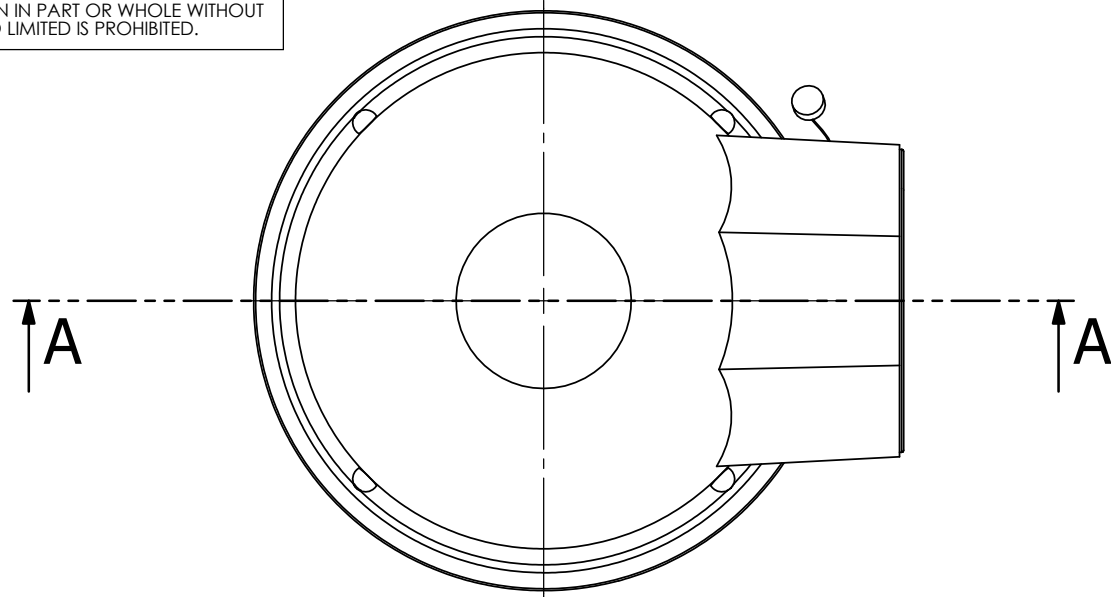
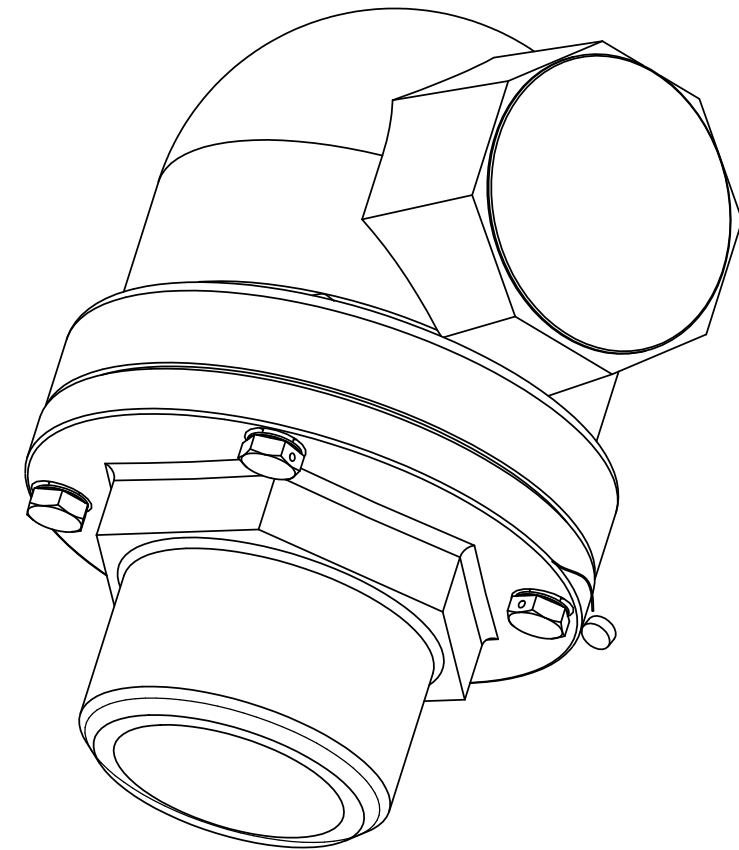


THE INFORMATION CONTAINED IN THIS DRAWING IS THE SOLE PROPERTY OF DIXON BAYCO LIMITED ANY REPRODUCTION IN PART OR WHOLE WITHOUT THE WRITTEN PERMISSION OF DIXON BAYCO LIMITED IS PROHIBITED.

REVISION TABLE				
REV.	ECO	DESCRIPTION	DATE	APPROVED
**	**	**	**	**



SECTION A-A  
SCALE 1 : 1.5



DIMENSIONS ARE IN INCHES UNLESS OTHERWISE SPECIFIED				<b>DIXON BAYCO LIMITED</b> 2200 LOGAN AVE. WINNIPEG, MB. R2R 0J2 PHONE (204) 633-5650 FAX (204) 633-6119	
CAD GENERATED DRAWING; DO NOT MANUALLY UPDATE. DO NOT SCALE DRAWING		APPROVALS		DATE	
DRAWN BY		S. Srzic		Jan 31/05	
CHECKED		C.Martens		Jan 31/05	
SIZE		DWG. NO.		REV.	
B		450153_C		0	
SHEET 1 OF 1					