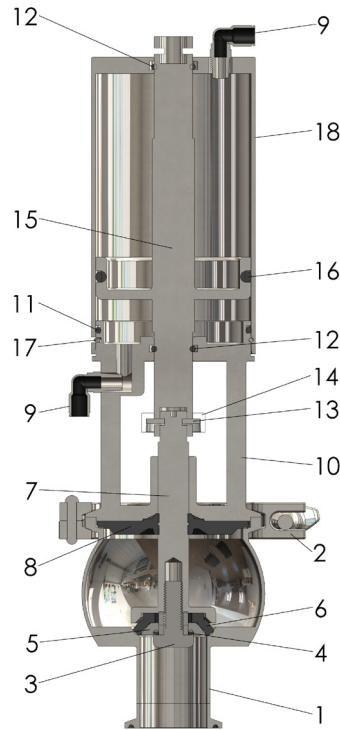




Dixon Sanitary SV-Series Single Seat Hygienic Valves

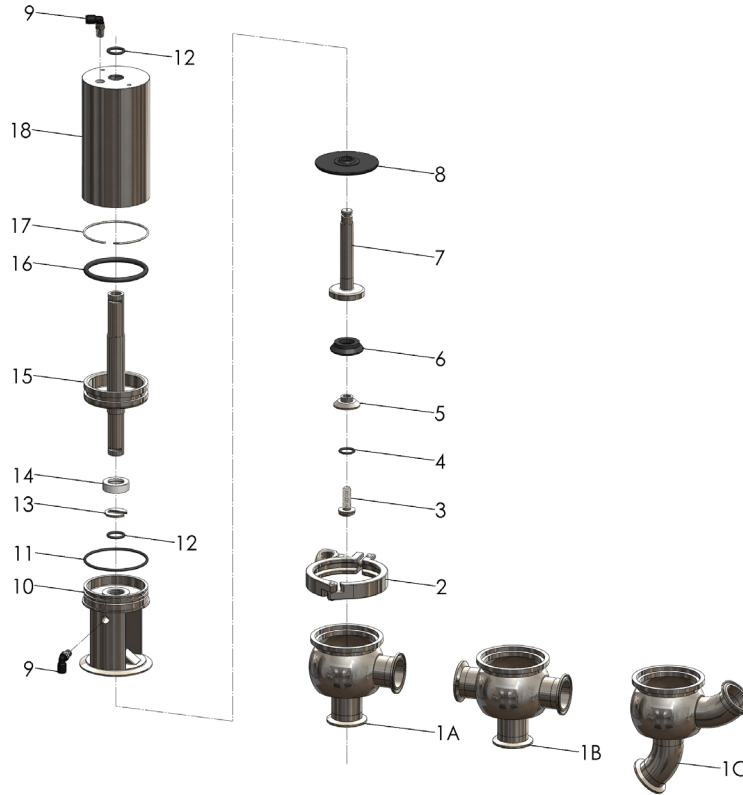
SV-Series 1.5" - 4" Single Body Valve - Double Acting



Bill of Materials

Item No.	Qty	Description	Part #				
			1.5"	2"	2.5"	3"	4"
1A	1	Lower Body "L"	SV-LBLC150	SV-LBLC200	SV-LBLC250	SV-LBLC300	SV-LBLC400
1B	1	Lower Body "T"	SV-LBTC150	SV-LBTC200	SV-LBTC250	SV-LBTC300	SV-LBTC400
1C	1	Lower Body "Y"	SV-LBYC150	SV-LBYC200	SV-LBYC250	SV-LBYC300	SV-LBYC400
2	1	Clamp	13MHHM300SN		13MHHM400SN		
3	1	Seat Bolt	SV-SBS150300				
4	1	Seat Bolt O-ring	SV-OEB150300				
5	1	Seat Washer	SV-SW150	SV-SW200	SV-SW250	SV-SW300	SV-SW300
6	1	Seat Seal EPDM	SV-KE150	SV-KE200	SV-KE250	SV-KE300	SV-KE400
6	1	Seat Seal FKM	SV-KV150	SV-KV200	SV-KV250	SV-KV300	SV-KV400
6	1	Seat Seal Buna	SV-KB150	SV-KB200	SV-KB250	SV-KB300	N/A
6	1	Seat Seal PTFE	SV-KP150	SV-KP200	SV-KP250	SV-KP300	SV-KP400
7	1	Short Pneumatic Stem	SV-SSPR150	SV-SSPR200	SV-SSPR250	SV-SSPR300	SV-SSPR400
8	1	Lip Seal FKM	SV-LSV150200			SV-LSV250300	
8	1	Lip Seal EPDM	SV-LSE150200			SV-LSE250300	
8	1	Lip Seal Buna	SV-LSB150200			SV-LSB250300	
9	2	Air Fitting	31095611				
10	1	Actuator Bracket	SV-AB150200			SV-AB250300	
11	1	Actuator Cylinder O-ring	SV-OCE150200			SV-OCE250300	
12	2	Stem O-ring	SV-OTE150200			SV-OTE250300	
13	1	Actuator U Clip	SV-AU150200			SV-AU250300	
14	1	Actuator Ring	SV-AR150200			SV-AR250300	
15	1	Actuator Piston	SV-AP150200			SV-AP250300	
16	1	Piston O-ring	SV-OPE150200			SV-OPE250300	
17	1	Actuator Wire	SV-AW150200			SV-AW250300	
18	1	Actuator Cylinder	SV-AC150200			SV-AC250300	

SV-Series 1.5" - 4" Single Body Valve - Double Acting



Bill of Materials

Item No.	Qty	Description	Part #				
			1.5"	2"	2.5"	3"	4"
1A	1	Lower Body "L"	SV-LBLC150	SV-LBLC200	SV-LBLC250	SV-LBLC300	SV-LBLC400
1B	1	Lower Body "T"	SV-LBTC150	SV-LBTC200	SV-LBTC250	SV-LBTC300	SV-LBTC400
1C	1	Lower Body "Y"	SV-LBYC150	SV-LBYC200	SV-LBYC250	SV-LBYC300	SV-LBYC400
2	1	Clamp	13MHHM300SN		13MHHM400SN		
3	1	Seat Bolt	SV-SBS150300				
4	1	Seat Bolt O-ring	SV-OEB150300				
5	1	Seat Washer	SV-SW150	SV-SW200	SV-SW250	SV-SW300	SV-SW300
6	1	Seat Seal EPDM	SV-KE150	SV-KE200	SV-KE250	SV-KE300	SV-KE400
6	1	Seat Seal FKM	SV-KV150	SV-KV200	SV-KV250	SV-KV300	SV-KV400
6	1	Seat Seal Buna	SV-KB150	SV-KB200	SV-KB250	SV-KB300	N/A
6	1	Seat Seal PTFE	SV-KP150	SV-KP200	SV-KP250	SV-KP300	SV-KP400
7	1	Short Pneumatic Stem	SV-SSPR150	SV-SSPR200	SV-SSPR250	SV-SSPR300	SV-SSPR400
8	1	Lip Seal FKM	SV-LSV150200		SV-LSV250300		
8	1	Lip Seal EPDM	SV-LSE150200		SV-LSE250300		
8	1	Lip Seal Buna	SV-LSB150200		SV-LSB250300		
9	2	Air Fitting	31095611				
10	1	Actuator Bracket	SV-AB150200		SV-AB250300		
11	1	Actuator Cylinder O-ring	SV-OCE150200		SV-OCE250300		
12	2	Stem O-ring	SV-OTE150200		SV-OTE250300		
13	1	Actuator U Clip	SV-AU150200		SV-AU250300		
14	1	Actuator Ring	SV-AR150200		SV-AR250300		
15	1	Actuator Piston	SV-AP150200		SV-AP250300		
16	1	Piston O-ring	SV-OPE150200		SV-OPE250300		
17	1	Actuator Wire	SV-AW150200		SV-AW250300		
18	1	Actuator Cylinder	SV-AC150200		SV-AC250300		

Dixon Sanitary

N25 W23040 Paul Road • Pewaukee, WI 53072
 ph: 800.789.1718 • 262.513.6900 • fx: 800.789.4046 • 262.513.4904
dixonvalve.com