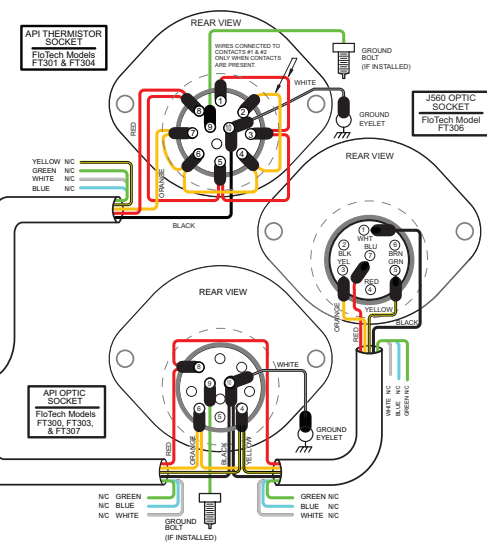
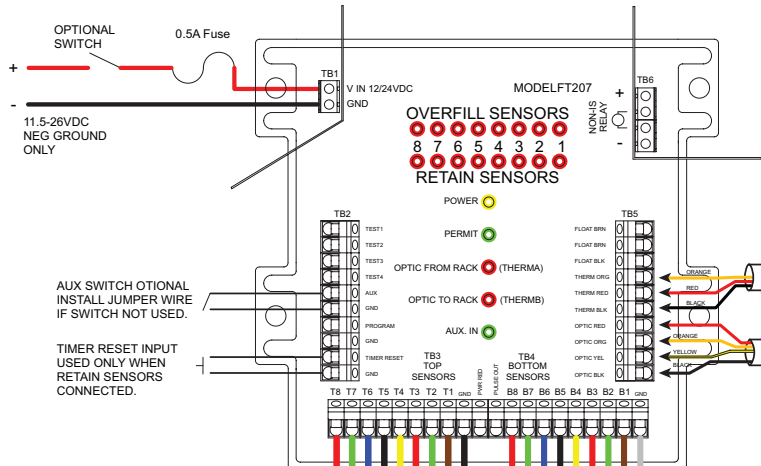




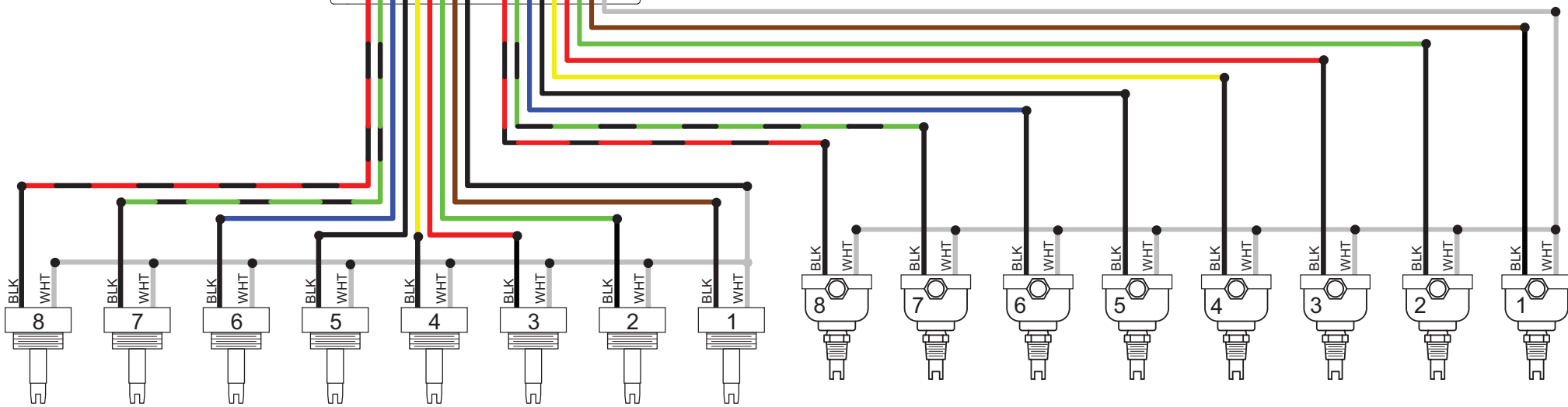
The Right Connection®

28XX CHECKMATE System with Retain and Overfill Sensors



Cross-Reference

FloTech Liquid Level Sensors		FloTech API 7 J560 Sockets	
FloTech Part Number	Civacon Part Number	FloTech Part Number	Civacon Part Number
FT150	1650	FT300	4100
FT150-12	1650S-12	FT301	4400
FT150-18	1650S-18	FT302	4600
FT151	1550	FT303	4200
FT151-12	1550S-12	FT304	4401
FT151-18	1550S-18	FT305	4500
FT152	n/a	FT306	4300
		FT307	4200
		FT310	4110
		FT311	4410
		FT314	4411
		FT316	4310
		FT317	4210
		FT320	4150
		FT321	4450



FT151/ 150 2 WIRE OPTIC SENSORS (BLK/WHT)

FT152 2 WIRE OPTIC RETAIN SENSORS (BLK/WHT)



Dixon Bayco
 800 High Street • Chestertown, MD 21620
 ph 800.355.1991 • fx 800.283.4966
 dixonvalve.com